

TFT-LCD Specification

Module Name: AML035G-007BP

Customer's No. : _____

Approved By

Shenzhen Amelin Electronic Technology Co.,Ltd.:

Approved By

This technical specification is subjected to change without prior notice.

Contents

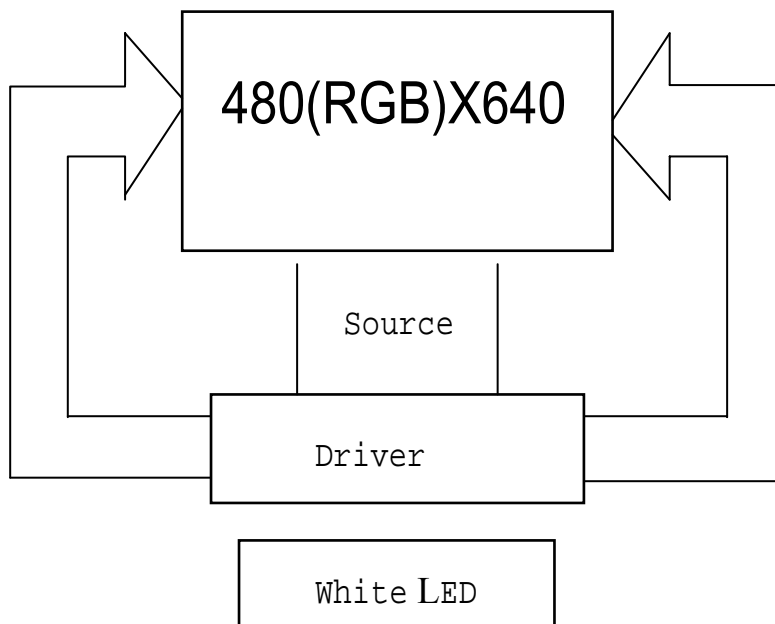
NO.	ITEM	PAGE
1	GENERAL DESCRIPTION	3
2	BLOCK DIAGRAM	3
3	INPUT / OUTPUT TERMINALS	4
4	OPTICAL CHARACTERISTICS	5
5	ABSOLUTE MAXIMUM RATINGS	7
6	ELECTRICAL CHARACTERISTICS	8
7	TIMING CHAR	9
8	RELIABILITY	10
9	GENERAL PRECAUTIONS	11
10	MECHANICAL DRAWING	13
11	RECORD OF REVISION	14

1. General Description

The **AML035G-007BP** is a transmissive type's TFT (Thin Film Transistor) active matrix color liquid crystal display (LCD) comprising an amorphous silicon TFT attached to each signal electrode. This model is consisting of TFT-LCD module, a driver circuit and a back-light unit. The resolution of a 3.5" contains 480*640 pixels and can display up to 262K colors.

Items	Panel	Unit
LCD type	TFT-LCD	/
Display mode	Transmissive	/
Display mode	Normal Black	/
Display Size	3.5	Inch
Display Color	262K	color
Active Area	53.28 (H)* 71.04(V)	mm
Number of Pixel	480(H)*RGB*640(V)	pixel
Pixel Pitch	0.111mm X 0.111mm	mm
Viewing direction	12	o'clock

2. Block Diagram



3. INPUT / OUTPUT TERMINALS

NO.	Pin name	Description
1, 2	VSS	Power Ground.
3, 4	VDD	Power Supply for Analog Circuit (TYP 2.8V)
5	VSS	Power Ground.
6	RESET	Reset Signal (Low Active)
7	HSYNC	Horizontal Synchronizing Signal in RGB Interface
8	VSNC	Vertical Synchronizing Signal in RGB Interface
9	PCLK	Dot Clock Signal for Data Latch in RGB Interface
10	VSS	Power Ground.
11~16	B0~B5	BLUE DATA BUS
17~22	G0~G5	GREEN DATA BUS
23~28	R0~R5	RED DATA BUS
29	VSS	Power Ground.
30	DE	Data Input Enable Control in RGB Interface
31, 32	NC	No connect.
33	XL	TP XL PIN
34	YD	TP YD PIN
35	XR	TP XR PIN
36	YU	TP YU PIN
37	NC	No connect.
38	LEDA	LED anode.
39	LEDK	LED cathode.

4. OPTICAL CHARACTERISTICS(Ta=25 ±2 °C)

4.1. Contrast ratio(center point)

Symbol	Min.	Typ.	Max.	Unit	Condition
C _R	--	500	-	-	Θ=0° Φ=0°

Contrast ratio is defined as follows

$$CR = \frac{\text{Luminance (brightness) all pixels "White"}}{\text{Luminance (brightness) all pixels "Dark"}}$$

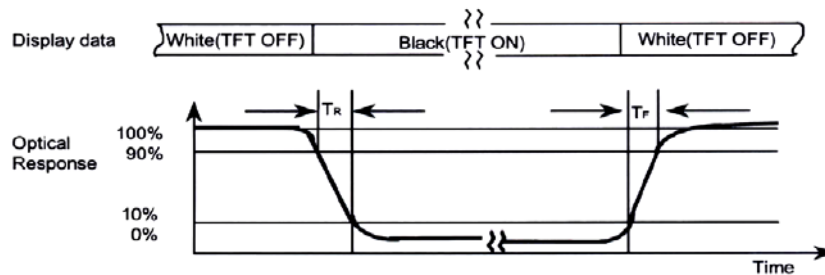
4.2. Luminance of white(Center point)

Symbol	Min.	Typ.	Max.	Unit	Condition
L _V	300	350	-	-	Θ=0° Φ=0°

4.3. Response time

Symbol	Min.	Typ.	Max.	Unit	Condition
T _R	-	10	-	ms	Θ=0° Φ=0°
T _F	-	20	-		

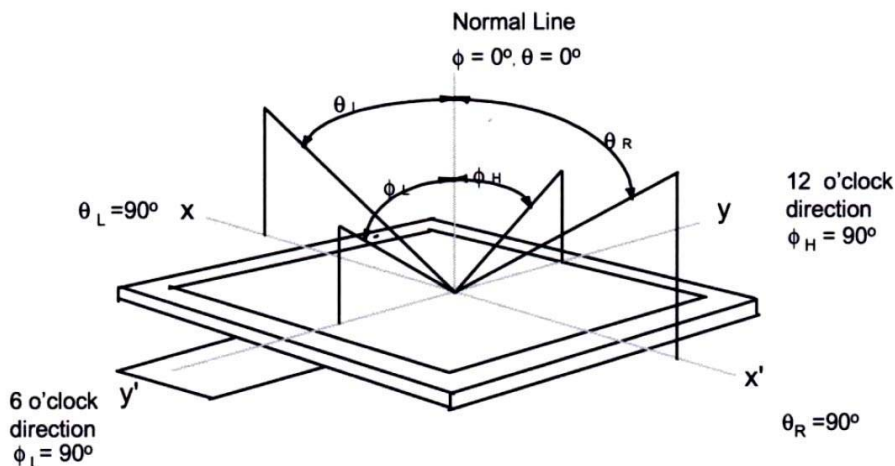
Response time is defined as follows



4.4. Viewing angle

Symbol	Min.	Typ.	Max.	Unit	Condition
9 o'clock	-	60	-	Degrees	C _R >10
3 o'clock	-	60	-		
12 o'clock	-	60	-		
6 o'clock	-	50	-		

Definition of Viewing Angle

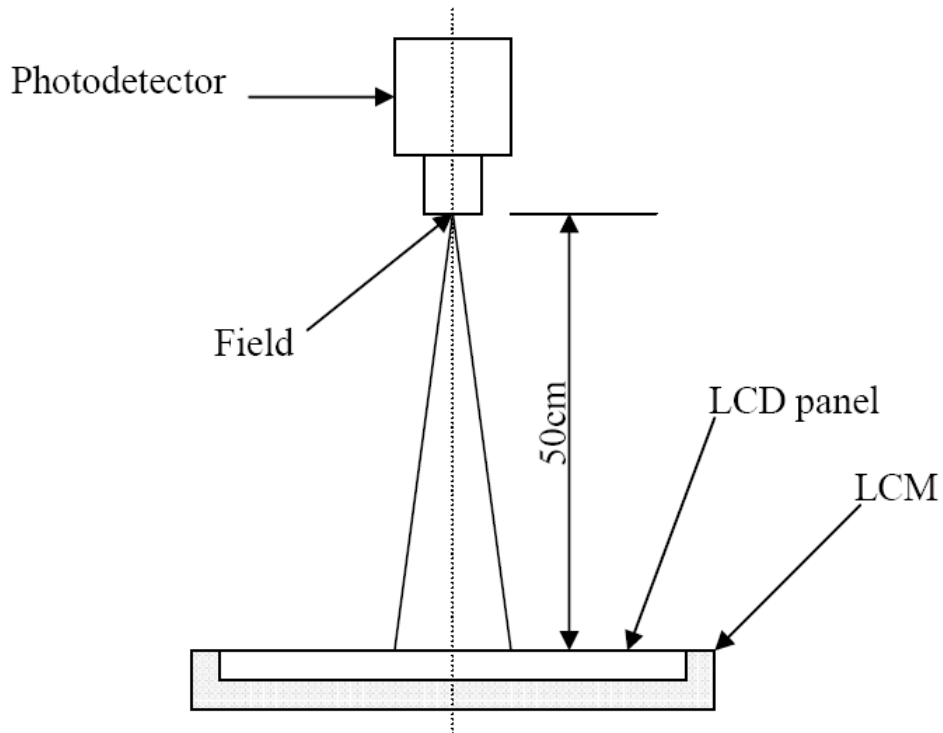


4.5. Color chromaticity(CIE 1931)

Symbol		Min.	Typ.	Max.	Condition
White	W _X	0.287	0.307	0.327	$\Theta=0^\circ \Phi=0^\circ$
	W _Y	0.306	0.326	0.346	
Red	R _X	0.636	0.656	0.676	
	R _Y	0.300	0.320	0.340	
Green	G _X	0.268	0.288	0.308	
	G _Y	0.569	0.589	0.609	
Blue	B _X	0.118	0.138	0.158	
	B _Y	0.059	0.079	0.099	

Optical measurement equipment setup

- Measurement should be executed in a stable, windless, and dark room. After lighting the backlight for 30mins.
- Environment condition : Common air conditioner cleanness 、 Ta=23±5℃、 Humidity=60±15%
- Distance : 50cm
- Photodetector : BM-7f (Field 2o)



5. ABSOLUTE MAXIMUM RATINGS

5.1. Absolute Ratings of Environment

Item	Symbol	Value	Unit	Note
Operating	T _{opr}	-20 to 70	°C	-
Storage temperature	T _{stg}	-30 to 80	°C	-

5.2. Electrical Absolute Ratings

5.2.1. TFT-LCD Module

Item	Symbol	Unit	Value	Note
Power Supply Voltage 1	IOVCC~VSSD	V	-0.3 to +4.6	Note ^{(1),(2)}
Power Supply Voltage 2	VCI ~ VSSA	V	-0.3 to +4.6	Note ⁽³⁾
Power Supply Voltage 3	DDVDH ~ VSSA	V	-0.3 to +6.6	Note ⁽⁴⁾
Power Supply Voltage 4	VSSA ~ VCL	V	-0.3 to +4.6	Note ⁽⁵⁾
Power Supply Voltage 5	DDVDH ~ VCL	V	-0.3 to +9	Note ⁽⁶⁾
Power Supply Voltage 6	VGH ~ VSSA	V	-0.3 to +18.5	Note ⁽⁷⁾
Power Supply Voltage 7	VSSA ~ VGL	V	0 to -16	Note ⁽⁸⁾
Logic Input Voltage	V _{IN}	V	-0.3 to IOVCC+0.5	-

5.2.2 Back-Light Unit

Item	Symbol	Min.	Max.	Unit	Note
Current	I _F	15	20	mA	(9)

Note:

- 1) IOVCC, VSSD must be maintained.
- 2) To make sure IOVCC ≥ VSSD.
- 3) To make sure VCI ≥ VSSA.
- 4) To make sure DDVDH ≥ VSSA.
- 5) To make sure VSSA ≥ VCL.
- 6) To make sure DDVDH ≥ VCL.
- 7) To make sure VGH ≥ VSSA.
- 8) To make sure VSSA ≥ VGL, VGH + |VGL| < 32V
- 9) One LED current maximum absolute ratings.

6. ELECTRICAL CHARACTERISTICS

6.1. DC characteristics (Ta=25 ±2°C)

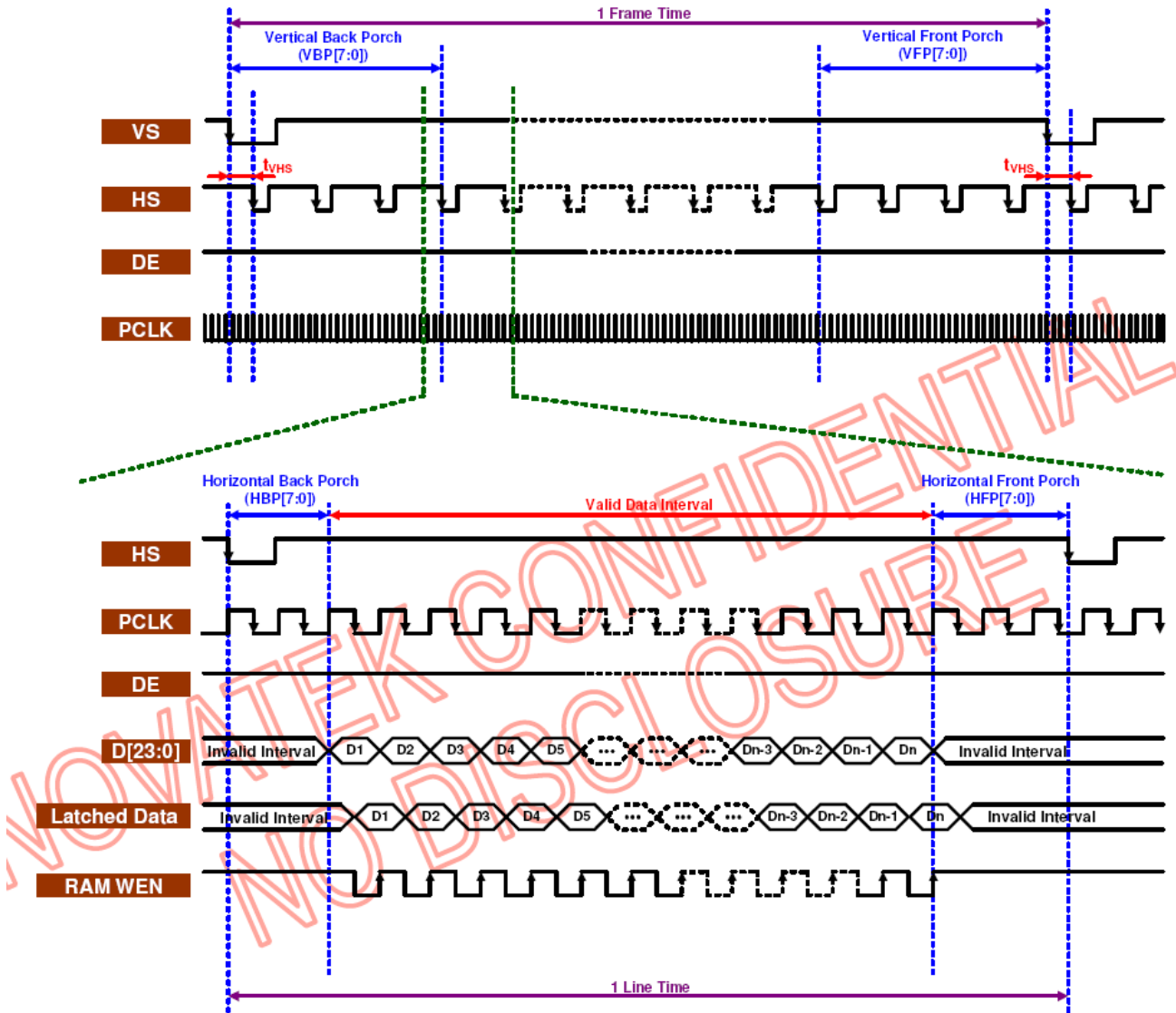
Item	Symbol	Min	Typ	Max	Unit
IO Operating voltage	IOVCC	1.65	1.8	3.3	V
Driver Operating voltage	VCC	2.5	2.8	3.3	V
Input Current	I _{dd}	-	TBD	TBD	mA
High level input voltage	V _{IH}	0.8 IOVCC	-	IOVCC	V
Low level input voltage	V _{IL}	-0.3	-	0.2 IOVCC	V
High level output voltage	V _{OH}	0.8 IOVCC	-	IOVCC	V
Low level output voltage	V _{OL}	-0.3	-	0.2 IOVCC	V

6.2. Back-Light Characteristics (Ta=25 ±2°C)

Item	Symbol	Min.	Typ.	Max.	Unit	Condition
Forward Voltage	V _F	-	19.2	-	V	I _F =15mA
Power Consumption	PW _F	-	288	-	mW	-
Number of LED	-	6			Piece	-
Connection mode	p	Serial			-	-

7. TIMING CHAR

7.1.RGB TIMING CHAR



8. RELIABILITY

NO.	Item	S/S	Conditions	Criterion
1	High Temperature Storage	$\cong 5$ pcs	Ta=70 \pm 2 $^{\circ}$ C,120 hours	Inspection after 2~4hours storage at room temperature, the sample shall be free from defects: 1. Air bubble in the LCD; 2. Sealleak; 3. Non-display; 4. missing segments; 5. Glass crack; 6. Current Idd is twice higher than initial value. 7. The surface shall be free from amage.
2	Low Temperature Storage	$\cong 5$ pcs	Ta=-20 \pm 2 $^{\circ}$ C,120 hours	
3	High Temperature Operating	$\cong 5$ pcs	Ta=60 \pm 2 $^{\circ}$ C,120 hours	
4	Low Temperature Operating	$\cong 5$ pcs	Ta=-10 \pm 2 $^{\circ}$ C,120 hours	
5	Thermal Shock	$\cong 5$ pcs	-10 $^{\circ}$ C/30 mins ~ 25 $^{\circ}$ C /5 mins ~ 60 $^{\circ}$ C/30 mins ,10 Cycles	
6	High Temperature / Humidity Storage	$\cong 5$ pcs	Ta = 50 \pm 2 $^{\circ}$ C ,RH = 90 \pm 2%, 120 hours	
7	ESD	$\cong 5$ pcs	Voltage: \pm 8KV R: 330 Ω C: 150pF Air discharge, 10time	

9. GENERAL PRECAUTIONS

9.1. Handling

- (a) When the module is assembled, it should be attached to the system firmly. Be careful not to twist and bend the module.
- (b) Refrain from strong mechanical shock and / or any force to the module. In addition to damage, this may cause improper operation or damage to the module and back-light unit.
- (c) Wipe off water droplets or oil immediately. If you leave the droplets for a long time, Staining and discoloration may occur.
- (d) The desirable cleaners are water, Isopropyl Alcohol or Hexane.
- (e) If the liquid crystal material leaks from the panel, it should be kept away from the eyes or mouth. In case of contact with hands, legs or clothes, it must be washed away thoroughly with soap.
- (f) Use finger-stalls with soft gloves in order to keep display clean during the incoming inspection and assembly process.
- (g) Do not disassemble the module.

9.2. Storage

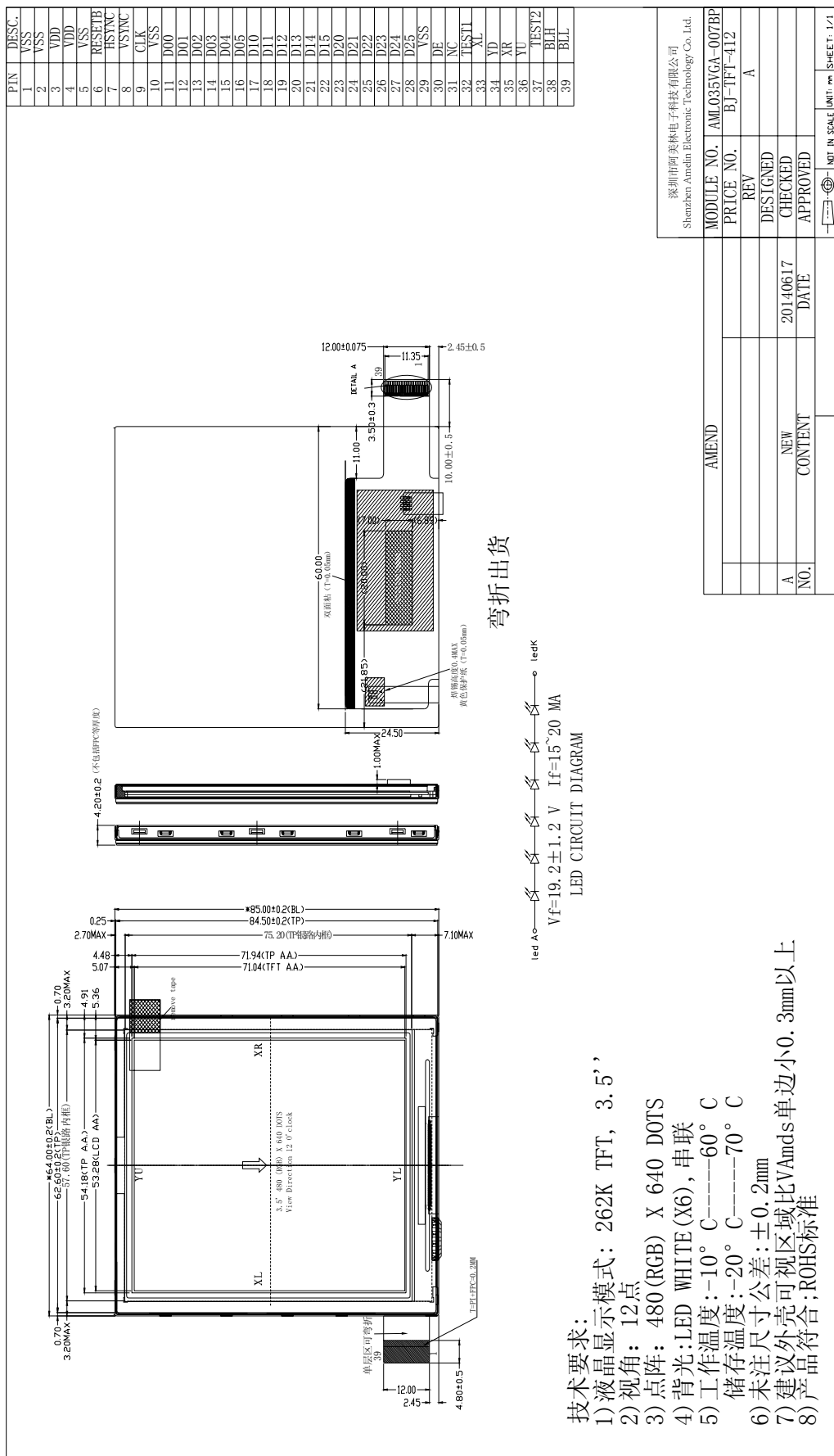
- (a) Do not leave the Panel in high temperature, and high humidity for a long time. It is highly recommended to store the module with temperature from 0 to 35°C and relative humidity of less than 70%.
- (b) Do not store the TFT-LCD module in direct sunlight.
- (c) The module shall be stored in a dark place. It is prohibited to apply sunlight or fluorescent light during the store.

9.3 Other

- (a) When in operations, do not connect; disconnect the module in the “Power on” condition.
- (b) The liquid crystal is deteriorated by ultraviolet; do not leave it in direct sunlight and strong ultraviolet ray for hours.
- (c) Avoid condensation of water. It may result in improper operation or disconnection of electrode.
- (d) Do not exceed the absolute maximum rating value. Otherwise the panel may be damaged.

- (e) If the panel displays the same pattern continuously for a long period of time, it can be the situation when the image “Stick” to the screen
- (f) The max temperature / continuous time of FPC soldering are 320℃ / 5 seconds.

10.MECHANICAL DRAWING



11.Record of Revision

Version	Revise Date	Content	Prepared
A	2014-12-10	First issue	wuxianyong
