

- CONTENTS -

REVISION HISTORY.....	3
1. GENERAL DESCRIPTION.....	4
2. ABSOIUTE MAXIMUM RATINGS.....	5
3. OPTICAL SPECIFICATION.....	6-8
4. INTERFACE SPECIFICAT.....	9
4.1 input power.....	9
4.2 input connection.....	10-13
4.3 input data format.....	14
4.3.1 LVDS data mapping.....	14
4.3.2 color input data reference.....	15
5. SIGNAL TIMING SPECIFICATION.....	16
5.1 input timing.....	16-21
6. BACKLIGHT UNIT.....	22
6.1 LED lightbar unit charac teristics.....	22
6.2 ptical characteristics.....	23-24
7. DEFINITION OF LABELS.....	25
7.1 JX lcd module label.....	25
7.2 packing.....	26
7.2.1 packing form.....	26
8. PRECAUTIONS.....	27
8.1 storage.....	27
8.2 module assembly.....	28
8.3 aging.....	29
8.4 operating precautions.....	29
8.5 others.....	29
9. MECHANICAL CHARACTERISTICSCHANICAL CHARACTERISTICS.....	30-31

REVISION HISTORY

Version	Date	Page	Section	Description
Ver1.0	18 December 2018	ALL	ALL	AML1430020 Preliminary specification was first issued.

1. General Description

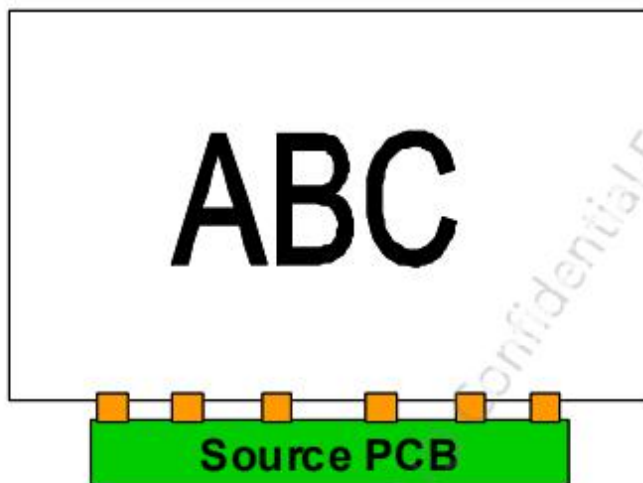
This specification applies to the 43 inch Color TFT-LCD SKD model T430HVN01.2. This Open Cell Unit has a TFT active matrix type liquid crystal panel with 1,920 x 1,080 pixels and LVDS interface; which can display up to 16.7M colors.

* General Information

Items	Specification	Unit	Note
Active Screen Size	43	inch	
Display Area	940.896(H) x 529.254(V)	mm	
Outline Dimension	950.896(H) x 575.89(V)	mm	
Cell Dimension	950.896(H) x 541.754 (V) x 1.32(D)	mm	D: cell thickness
Driver Element	a-Si TFT active matrix		
Bezel Opening	945.896 (H) x 533.25 (V)	mm	Recommend
Display Colors	8 bit (16.7M)	Colors	
Number of Pixels	1,920 x 1,080	Pixel	
Pixel Pitch	0.49 (H) x 0.49(W)	mm	
Pixel Arrangement	RGB vertical stripe		
Display Operation Mode	Normally Black		
Surface Treatment	Anti-Glare, 3H		Haze=2%
Transmittance (with Polarizer)	6.2%		Typical value
Weight	1,500	g	Typical value
Display Orientation	Signal input with "ABC"		Note 1

Note 1: LCD display as below illustrated when signal input with "ABC".

Front side



2. Absolute Maximum Ratings

The followings are maximum values which, if exceeded, may cause faulty operation or damage to the unit or the unrecoverable damage on the device.

Item	Symbol	Min	Max	Unit	Conditions
Logic/LCD Drive Voltage	V _{DD}	-0.3	14	[Volt] _{DC}	Note 1
Input Voltage of Signal	V _{in}	-0.3	4	[Volt] _{DC}	Note 1
Operating Temperature	TOP	0	+50	[°C]	Note 2
Operating Humidity	HOP	10	90	[%RH]	Note 2
Storage Temperature	TST	-20	+60	[°C]	Note 2
Storage Humidity	HST	10	90	[%RH]	Note 2
Panel Surface Temperature	PST		65	[°C]	Note 3
Electro Statistic Voltage	ESD		±2	[KV]	Note 4

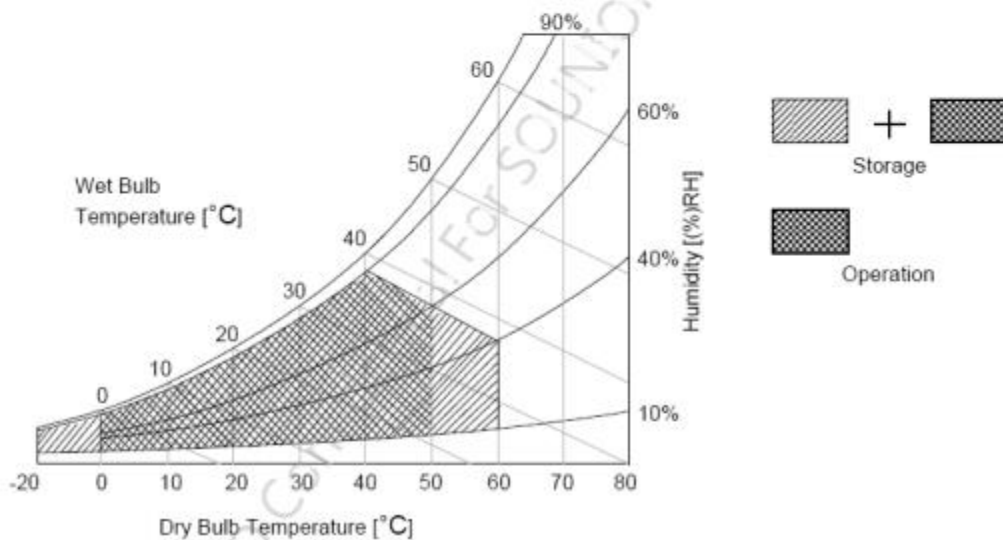
Note 1: Duration:50 msec.

Note 2 : Maximum Wet-Bulb should be 39°C and No condensation.

The relative humidity must not exceed 90% non-condensing at temperatures of 40°C or less. At temperatures greater than 40°C, the wet bulb temperature must not exceed 39°C.

Note 3: Surface temperature is measured at 50°C Dry condition

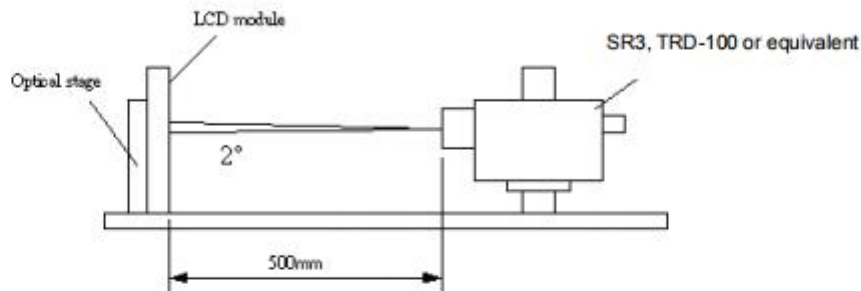
Note 4: ESD protection procedure must be applied during production process; especially polarizer protection films remove process. Please directly contact AUO if module process advice is required.



3.Optical Specification

Optical characteristics are determined after the unit has been 'ON' and stable for approximately 45 minutes in a dark environment at 25°C. The values specified are measured on the center of active area and at an approximate distance 500 mm from the LCD surface at a viewing angle of ϕ and θ equal to 0°.

Fig.1 presents additional information concerning the measurement equipment and method.



Parameter	Symbol	Condition	Values			Unit	Notes
			Min.	Typ.	Max.		
Contrast Ratio	CR	SR3, TRD-100	2400	3000	--		1, 2
Response Time (G to G)	T_{γ}		--	8	16	ms	3
Color Chromaticity		With SR3 Standard light source "C"	Typ.-0.03	Typ.+0.03			4
Red	R_x				0.660		
	R_y				0.328		
Green	G_x				0.277		
	G_y				0.588		
Blue	B_x				0.140		
	B_y				0.108		
White	W_x				0.294		
	W_y	0.341					
Viewing Angle		SR3					1, 5
x axis, right($\phi=0^\circ$)	θ_r		--	89	--	degree	
x axis, left($\phi=180^\circ$)	θ_l		--	89	--	degree	
y axis, up($\phi=90^\circ$)	θ_u		--	89	--	degree	
y axis, down ($\phi=270^\circ$)	θ_d		--	89	--	degree	

- Light source here is the BLU of AUO module (film structure: two diffuser sheets).
- Contrast Ratio (CR) is defined mathematically as:

$$\text{Contrast Ratio} = \frac{\text{Surface Luminance at center location of all white pixels}}{\text{Surface Luminance at center location of all black pixels}}$$

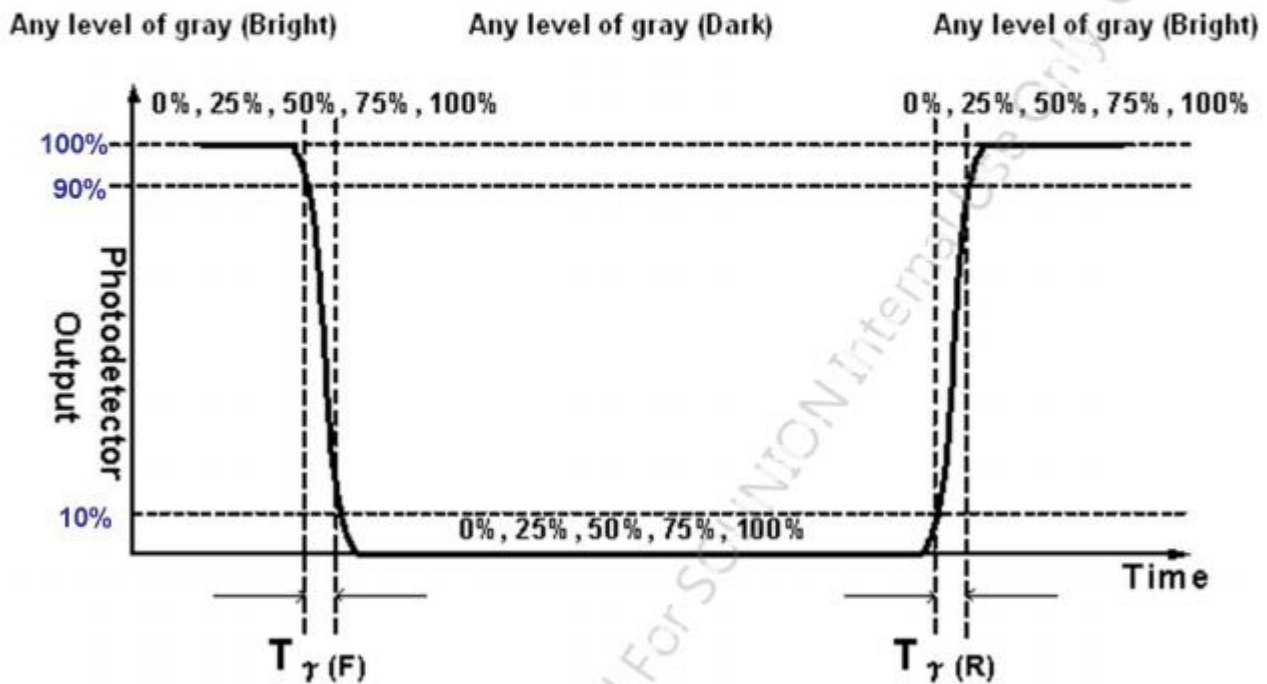
3. Response time T_{γ} is the average time required for display transition by switching the input signal for five luminance ratio (0%,25%,50%,75%,100% brightness matrix) and is based on Frame rate = 60Hz to optimize.

Measured Response Time		Target				
		0%	25%	50%	75%	100%
Start	0%		0% to 25%	0% to 50%	0% to 75%	0% to 100%
	25%	25% to 0%		25% to 50%	25% to 75%	25% to 100%
	50%	50% to 0%	50% to 25%		50% to 75%	50% to 100%
	75%	75% to 0%	75% to 25%	75% to 50%		75% to 100%
	100%	100% to 0%	100% to 25%	100% to 50%	100% to 75%	

T_{γ} is determined by 10% to 90% brightness difference of rising or falling period. (As illustrated)

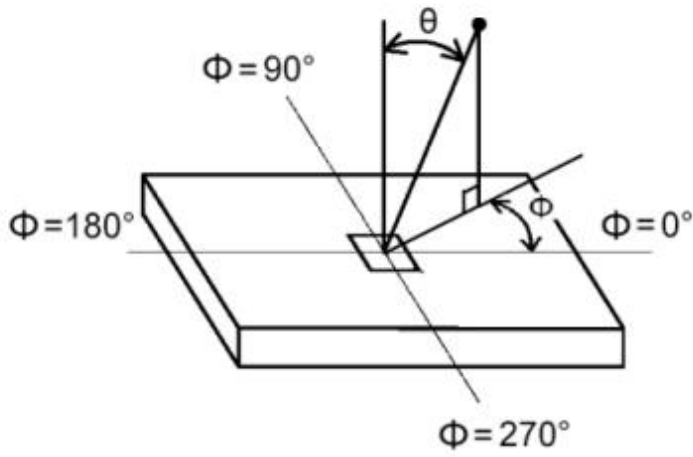
The response time is defined as the following figure and shall be measured by switching the input signal for "any level of gray(bright) " and "any level of gray(dark)".

FIG.3 Response Time



4. Light source here is the standard light source "C" which is defined by CIE and driving voltages are based on suitable gamma voltages. The calculating method is as following :
- A. Measure the "Module" and "BLU" optical spectrums (W, R, G, B).
 - B. Calculate cell spectrum from "Module" and "BLU" spectrums.
 - C. Calculate color chromaticity by using cell spectrum and the spectrum of standard light source "C".
5. Viewing angle is the angle at which the contrast ratio is greater than 10. The angles are determined for the horizontal or x axis and the vertical or y axis with respect to the z axis which is normal to the LCD surface. For more information see FIG4.

FIG.4 Viewing Angle



AUO Confidential For SOUNION Internal Use Only On 2015/11/12

4.Interface Specification

4.1 Input power

The T430HVN01.2 Open Cell Unit requires power input which is employed to power the LCD electronics and to drive the TFT array and liquid crystal.

Item	Symbol	Min.	Typ.	Max	Unit	Note
Power Supply Input Voltage	V_{DD}	10.8	12	13.2	V	1
Power Supply Input Current	Black pattern	-	0.42	0.5	A	2
	White pattern	-	0.42	0.5	A	
	H-strip pattern	-	0.65	0.78	A	
Power Consumption	Black pattern	-	5.04	6	Watt	2
	White pattern	-	5.04	6	Watt	
	H-strip pattern	-	7.8	9.36	Watt	
Inrush Current	I_{RUSH}	--	--	5	A	3

Note1. The ripple voltage should be fewer than 5% of V_{DD} .

Note2. Test Condition:

- (1) $V_{DD} = 12.0V$, (2) $F_v = 60Hz$, (3) $F_{clk} = 74.25MHz$, (4) Temperature = 25 °C
- (5) Power dissipation check pattern. (Only for power design)

a. Black pattern



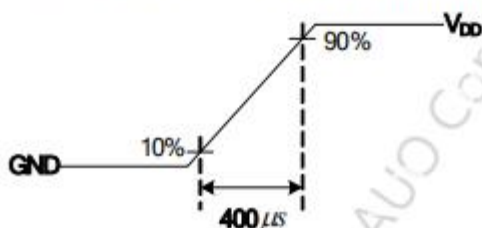
b. White pattern



c. H-Strip pattern



Note3. Measurement condition : Rising time = 400us

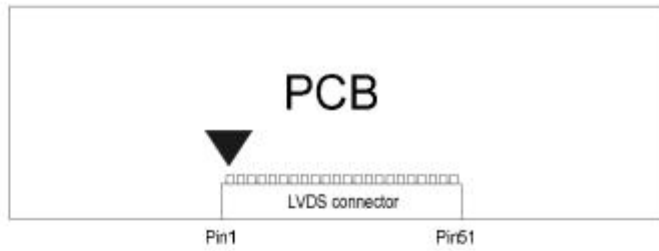


4.2 Input Connection

■ LCD connector: 187059-5 122 (P-two, LVDS connector) or compatible

PIN	Symbol	Description	Note	PIN	Symbol	Description	Note
1	N.C.	No connection	2	26	GND or N.C	Ground or No connection	7
2	SCL	I2C Clock	3,4	27	N.C.	No connection	2
3	WP	I2C Write Protection High(3.3V) for Writable, Low(GND) for Protection	3,5	28	CH2_0-	LVDS Channel 2, Signal 0-	
4	SDA	I2C Data	3,4	29	CH2_0+	LVDS Channel 2, Signal 0+	
5	N.C.	No connection	2	30	CH2_1-	LVDS Channel 2, Signal 1-	
6	N.C.	No connection	2	31	CH2_1+	LVDS Channel 2, Signal 1+	
7	LVDS_SEL	LVDS data format selection Open/High(3.3V) for NS, Low(GND) for JEIDA	3,6	32	CH2_2-	LVDS Channel 2, Signal 2-	
8	N.C.	No connection	2	33	CH2_2+	LVDS Channel 2, Signal 2+	
9	N.C.	No connection	2	34	GND	Ground	
10	N.C.	No connection	2	35	CH2_CLK-	LVDS Channel 2, Clock -	
11	GND	Ground		36	CH2_CLK+	LVDS Channel 2, Clock +	
12	CH1_0-	LVDS Channel 1, Signal 0-		37	GND	Ground	
13	CH1_0+	LVDS Channel 1, Signal 0+		38	CH2_3-	LVDS Channel 2, Signal 3-	
14	CH1_1-	LVDS Channel 1, Signal 1-		39	CH2_3+	LVDS Channel 2, Signal 3+	
15	CH1_1+	LVDS Channel 1, Signal 1+		40	N.C.	No connection	2
16	CH1_2-	LVDS Channel 1, Signal 2-		41	N.C.	No connection	2
17	CH1_2+	LVDS Channel 1, Signal 2+		42	N.C.	No connection	
18	GND	Ground		43	N.C.	No connection	
19	CH1_CLK-	LVDS Channel 1, Clock -		44	GND	Ground	
20	CH1_CLK+	LVDS Channel 1, Clock +		45	GND	Ground	
21	GND	Ground		46	GND	Ground	
22	CH1_3-	LVDS Channel 1, Signal 3-		47	N.C.	No connection	2
23	CH1_3+	LVDS Channel 1, Signal 3+		48	V _{DD}	Power Supply Input Voltage	
24	N.C.	No connection	2	49	V _{DD}	Power Supply Input Voltage	
25	N.C.	No connection	2	50	V _{DD}	Power Supply Input Voltage	
				51	V _{DD}	Power Supply Input Voltage	

Note1. Pin number start from the left side as the following figure.



Note2. Please leave this pin unoccupied. It can not be connected by any signal (Low/GND/High).

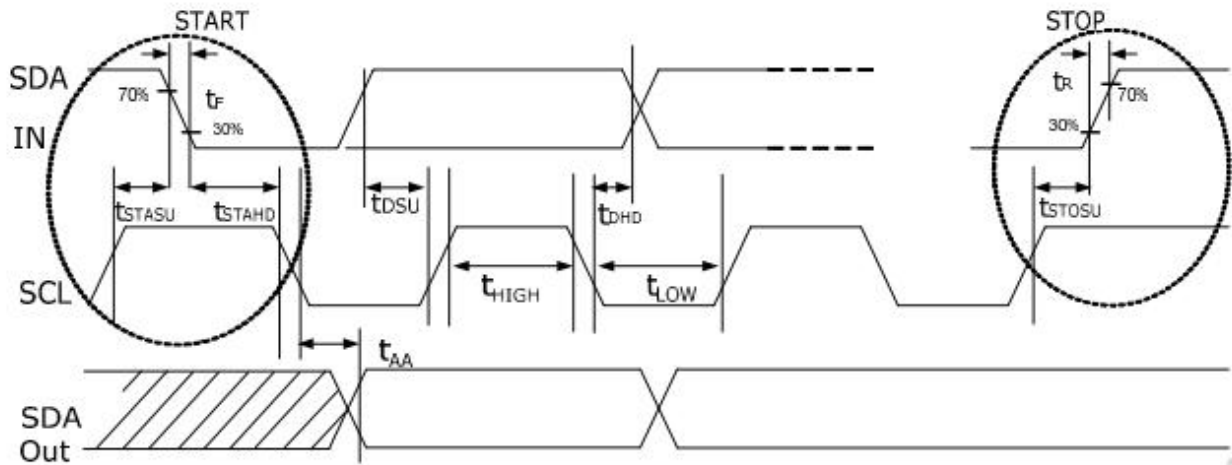
Note3. Input control signal threshold voltage definition

Item	Symbol	Min.	Typ.	Max.	Unit
Input High Threshold Voltage	VIH	2.7	-	3.6	V
Input Low Threshold Voltage	VIL	0	-	0.6	V

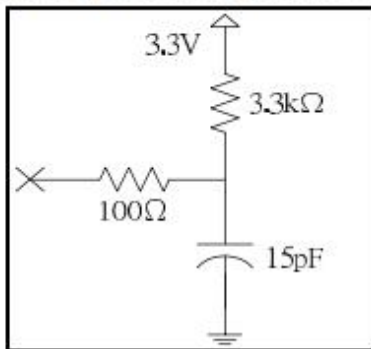
Note4. I2C Data and Clock

I2C Data and Clock timing

Parameter		Symbol	Min.	Typ.	Max	Unit
I2C	SCL clock frequency	fSCL	-	-	350	kHz
	Clock Pulse Width Low	tLOW	1.85	-	-	us
	Clock Pulse Width High	tHIGH	0.4	-	-	us
	Clock Low to Data Output Valid	tAA	1.76	-	-	us
	Start Setup Time	tSTASU	0.6	-	-	us
	Start Hold Time	tSTAHD	0.6	-	-	us
	Stop Setup Time	tSTOSU	0.6	-	-	us
	Data In Setup Time	tDSU	0.1	-	-	us
	Data In Hold Time	tDHD	0	-	-	us
	SCL/SDA Rise Time	tR	-	-	0.3	us
	SCL/SDA Fall Time	tF	-	-	0.3	us



Input equivalent impedance of SDA/SCL pin

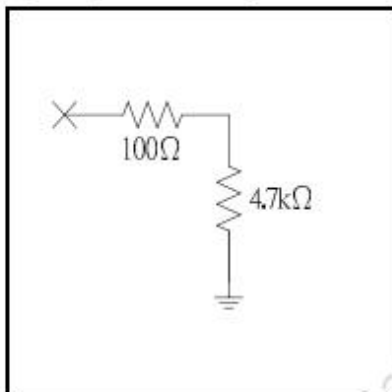


Note5. Write Protection

Mode selection

WP	Note
L or OPEN	Protection
H	Writable

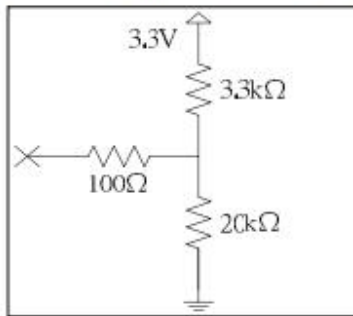
Input equivalent impedance of WP pin



Note6. LVDS data format selection

LVDS_SEL	Mode
H or OPEN	NS
L	Jeida

Input equivalent impedance of LVDE_SEL pin



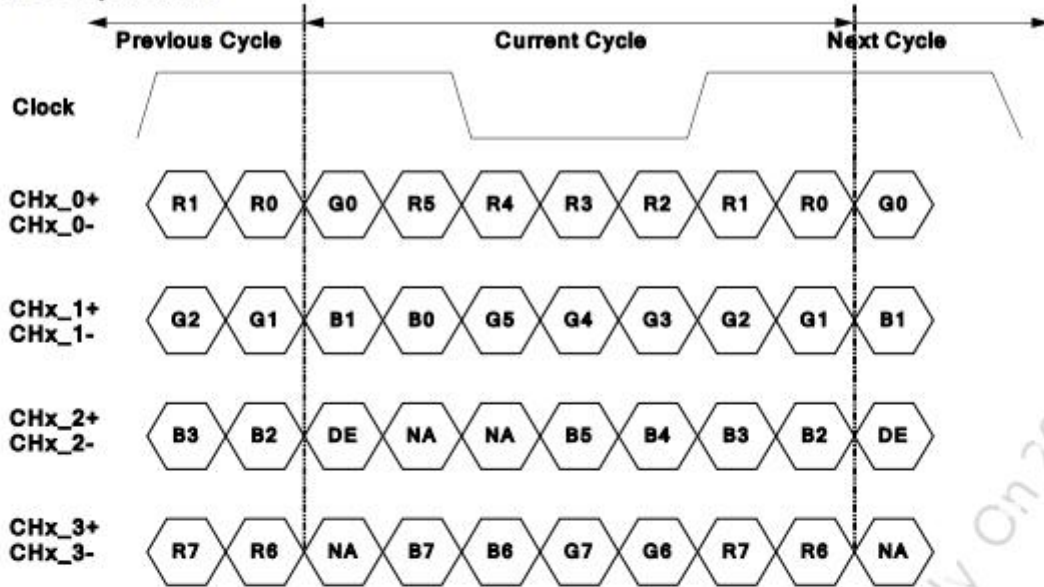
Note7. Please leave this pin unoccupied or connect to ground. It can not be connected by any signal (Low/High).

AUO Confidential For SOUNION Internal Use Only On 2015/11/12

4.3 Input Data Format

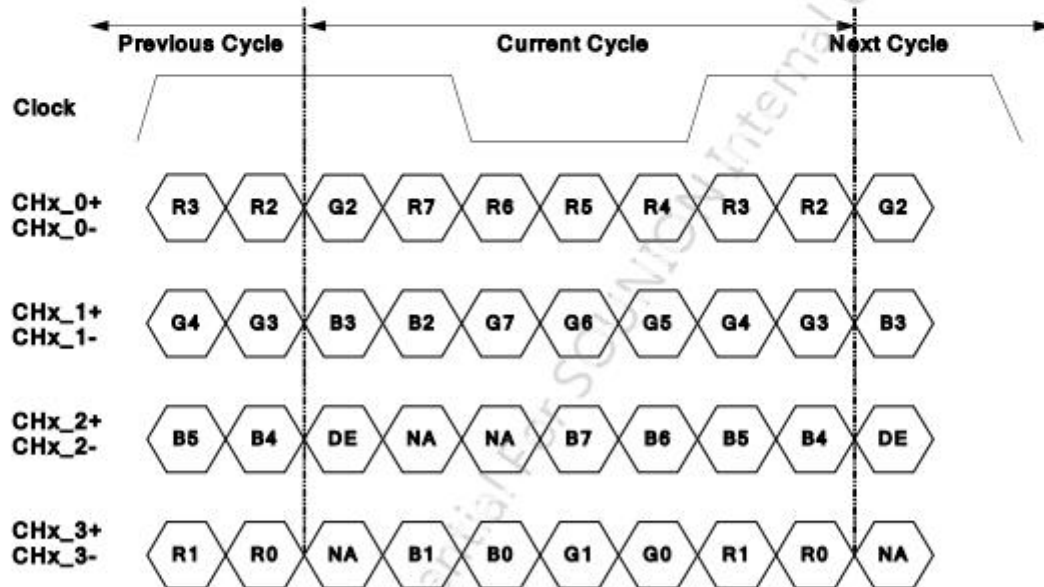
4.3.1 LVDS data mapping

■ LVDS Option NS



Note: x = 1, 2, 3, 4...

■ LVDS Option JEIDA



Note: x = 1, 2, 3, 4...

4.3.2 Color Input Data Reference

The brightness of each primary color (red, green and blue) is based on the 8 bit gray scale data input for the color; the higher the binary input, the brighter the color. The table below provides a reference for color versus data input.

COLOR DATA REFERENCE

Color		Input Color Data																							
		RED								GREEN								BLUE							
		MSB				LSB				MSB				LSB				MSB				LSB			
		R7	R6	R5	R4	R3	R2	R1	R0	G7	G6	G5	G4	G3	G2	G1	G0	B7	B6	B5	B4	B3	B2	B1	B0
Basic Color	Black	0	0	0	0	0	0	0	0	0	0	0	0	0	0	0	0	0	0	0	0	0	0	0	
	Red(255)	1	1	1	1	1	1	1	1	0	0	0	0	0	0	0	0	0	0	0	0	0	0	0	
	Green(255)	0	0	0	0	0	0	0	0	1	1	1	1	1	1	1	1	0	0	0	0	0	0	0	
	Blue(255)	0	0	0	0	0	0	0	0	0	0	0	0	0	0	0	0	1	1	1	1	1	1	1	
	Cyan	0	0	0	0	0	0	0	0	1	1	1	1	1	1	1	1	1	1	1	1	1	1	1	
	Magenta	1	1	1	1	1	1	1	1	0	0	0	0	0	0	0	0	1	1	1	1	1	1	1	
	Yellow	1	1	1	1	1	1	1	1	1	1	1	1	1	1	1	1	0	0	0	0	0	0	0	
	White	1	1	1	1	1	1	1	1	1	1	1	1	1	1	1	1	1	1	1	1	1	1	1	
R	RED(000)	0	0	0	0	0	0	0	0	0	0	0	0	0	0	0	0	0	0	0	0	0	0		
	RED(001)	0	0	0	0	0	0	0	1	0	0	0	0	0	0	0	0	0	0	0	0	0	0		

	RED(254)	1	1	1	1	1	1	1	0	0	0	0	0	0	0	0	0	0	0	0	0	0	0		
	RED(255)	1	1	1	1	1	1	1	1	0	0	0	0	0	0	0	0	0	0	0	0	0	0		
G	GREEN(000)	0	0	0	0	0	0	0	0	0	0	0	0	0	0	0	0	0	0	0	0	0	0		
	GREEN(001)	0	0	0	0	0	0	0	0	0	0	0	0	0	0	0	1	0	0	0	0	0	0		

	GREEN(254)	0	0	0	0	0	0	0	0	1	1	1	1	1	1	0	0	0	0	0	0	0	0		
	GREEN(255)	0	0	0	0	0	0	0	0	1	1	1	1	1	1	1	0	0	0	0	0	0	0		
B	BLUE(000)	0	0	0	0	0	0	0	0	0	0	0	0	0	0	0	0	0	0	0	0	0	0		
	BLUE(001)	0	0	0	0	0	0	0	0	0	0	0	0	0	0	0	0	0	0	0	0	0	1		

	BLUE(254)	0	0	0	0	0	0	0	0	0	0	0	0	0	0	0	0	1	1	1	1	1	1		
	BLUE(255)	0	0	0	0	0	0	0	0	0	0	0	0	0	0	0	0	1	1	1	1	1	1		

5. Signal Timing Specification

5.1 Input Timing

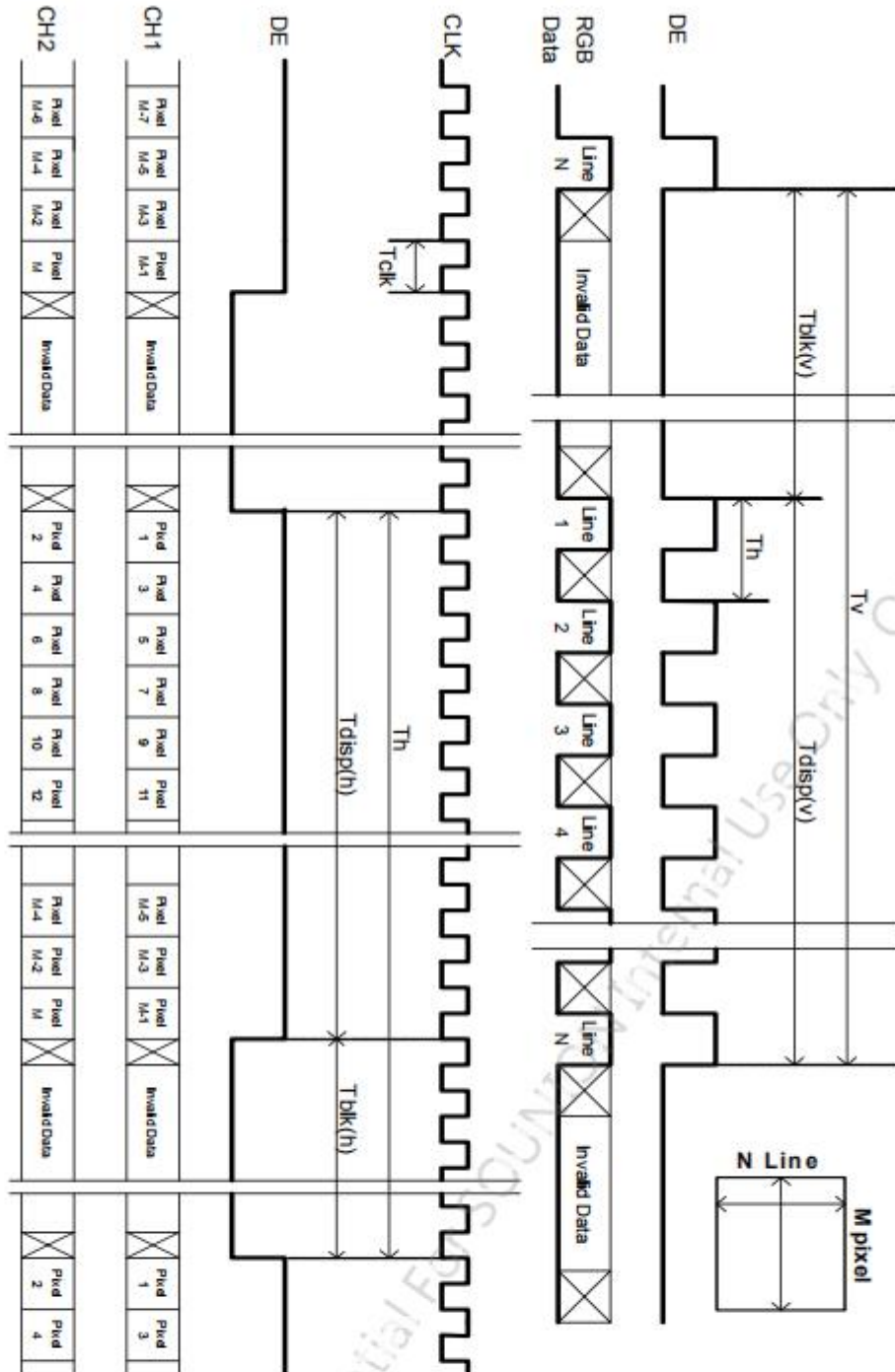
This is the signal timing required at the input of the user connector. All of the interface signal timing should be satisfied with the following specifications for its proper operation.

Timing Table (DE only Mode)

Signal	Item	Symbol	Min.	Typ.	Max	Unit
Vertical Section	Period	Tv	1100	1125	1480	Th
	Active	Tdisp (v)	1080			
	Blanking	Tblk (v)	20	45	400	Th
Horizontal Section	Period	Th	1030	1100	1325	Tclk
	Active	Tdisp (h)	960			
	Blanking	Tblk (h)	70	140	365	Tclk
Clock	Frequency	Fclk=1/Tclk	53	74.25	82	MHz
Vertical Frequency	Frequency	Fv	47	60	63	Hz
Horizontal Frequency	Frequency	Fh	60	67.5	73	KHz

AUO Confidential For SOUNION Internal Use Only

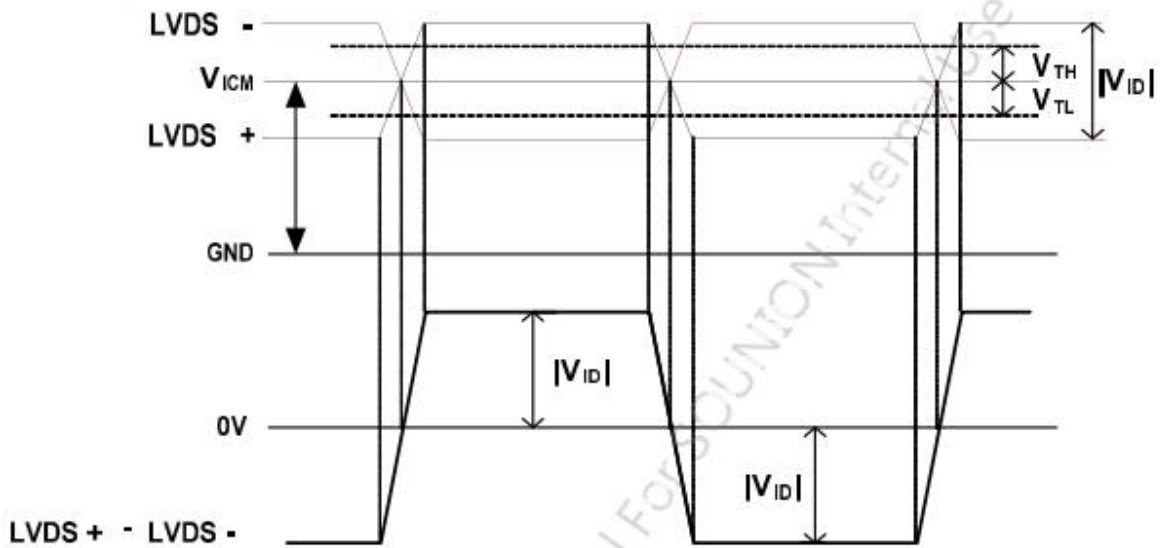
The timing diagrams of the input timing



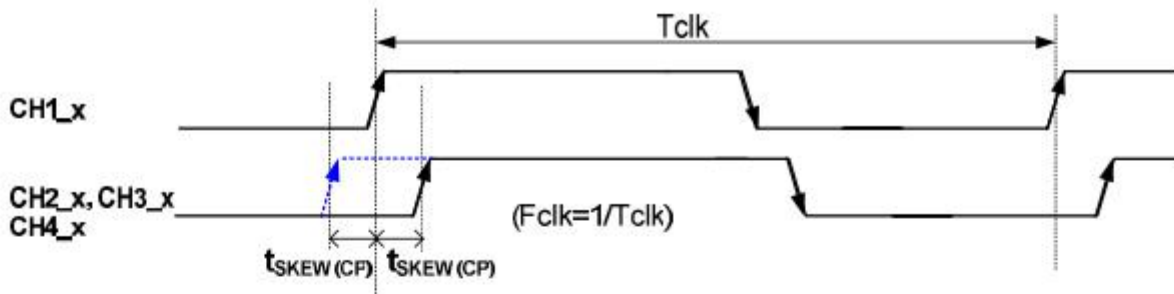
Input interface characteristics

Parameter		Symbol	Value			Unit	Note
			Min.	Typ.	Max		
LVDS Interface	Input Differential Voltage	$ V_{ID} $	200	400	600	mV _{DC}	1
	Differential Input High Threshold Voltage	V_{TH}	+100	--	+300	mV _{DC}	1
	Differential Input Low Threshold Voltage	V_{TL}	-300	--	-100	mV _{DC}	1
	Input Common Mode Voltage	V_{ICM}	1.1	1.25	1.4	V _{DC}	1
	Input Channel Pair Skew Margin	$t_{SKEW (CP)}$	-500	--	+500	ps	2
	Input Channel Pair Skew Margin (only for M'Star MST7428BB)	$t_{SKEW (CP)}$	-400	--	+400	ps	2
	Receiver Clock : Spread Spectrum Modulation range	Fclk_ss	Fclk -3%	--	Fclk +3%	MHz	3
	Receiver Clock : Spread Spectrum Modulation frequency	Fss	30	--	200	KHz	3
	Receiver Data Input Margin Fclk = 85 MHz Fclk = 65 MHz	tRMG	-0.4 -0.5	-- --	0.4 0.5	ns	8

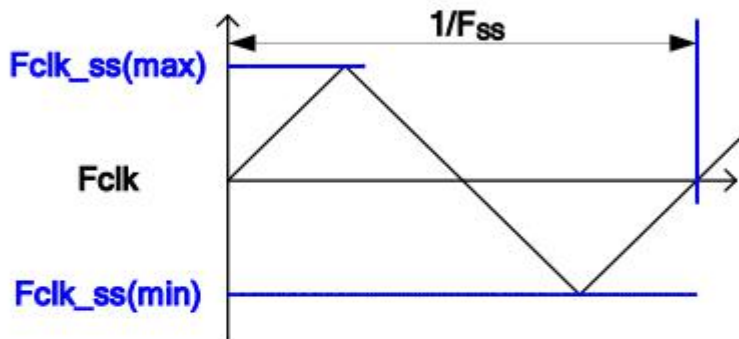
Note1. $V_{ICM} = 1.25V$



Note2. Input Channel Pair Skew Margin

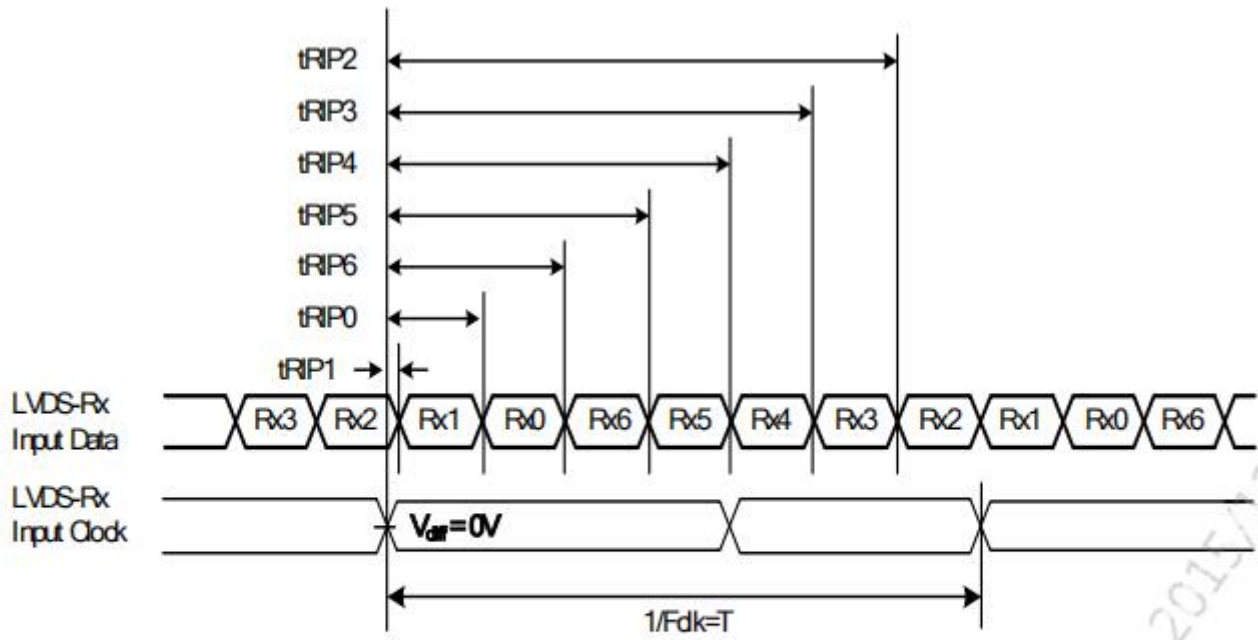


Note3. LVDS Receiver Clock SSCG (Spread spectrum clock generator) is defined as below figures.

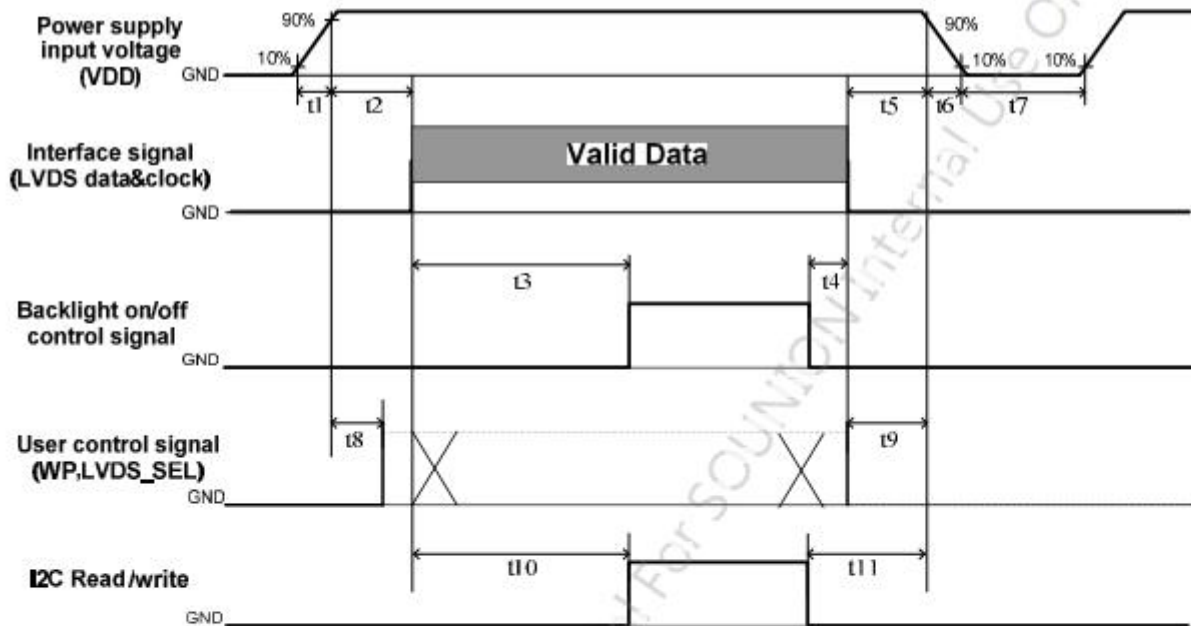


Note4. Receiver Data Input Margin

Parameter	Symbol	Rating			Unit	Note
		Min	Type	Max		
Input Clock Frequency	Fclk	Fclk (min)	--	Fclk (max)	MHz	$T=1/F_{clk}$
Input Data Position0	tRIP1	- tRMG	0	tRMG	ns	
Input Data Position1	tRIP0	$T/7- tRMG $	$T/7$	$T/7+ tRMG $	ns	
Input Data Position2	tRIP6	$2T/7- tRMG $	$2T/7$	$2T/7+ tRMG $	ns	
Input Data Position3	tRIP5	$3T/7- tRMG $	$3T/7$	$3T/7+ tRMG $	ns	
Input Data Position4	tRIP4	$4T/7- tRMG $	$4T/7$	$4T/7+ tRMG $	ns	
Input Data Position5	tRIP3	$5T/7- tRMG $	$5T/7$	$5T/7+ tRMG $	ns	
Input Data Position6	tRIP2	$6T/7- tRMG $	$6T/7$	$6T/7+ tRMG $	ns	



5.2 Power Sequence for LCD



Parameter	Values			Unit
	Min.	Type.	Max.	
t1	0.4	---	30	ms
t2	0.1	---	50	ms
t3	450	---	---	ms
t4	0 ^{*1}	---	---	ms
t5	0	---	---	ms
t6	---	---	--- ^{*2}	ms
t7	500	---	---	ms
t8	20 ^{*3}	---	50	ms
t9	0	---	---	ms
t10	450	---	---	ms
t11	150	---	---	ms

Note:

- (1) t4=0 : concern for residual pattern before BLU turn off.
- (2) t6 : voltage of VDD must decay smoothly after power-off. (customer system decide this value)
- (3) When user control signal is N.C. (no connection), opened in Transmitted end, t8 timing spec can be negligible.

6.0 BACKLIGHT UNIT

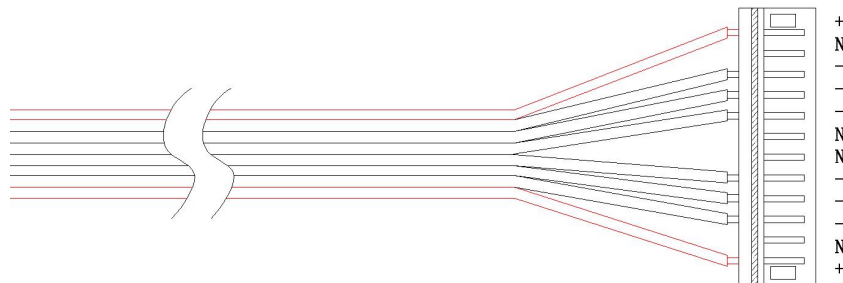
6.1 LED LIGHTBAR UNIT CHARACTERISTICS

Parameter	Symbol	Value			Unit	Note
		Min.	Typ.	Max.		
Lightbar input Voltage	V	60	66	74	V _{RMS}	One channel
Lightbar input current	I _L		360		mA	One channel
Power consume	W		23.76		W	One channel
Lightbar Life Time	L _{BL}	30000		-	Hrs	

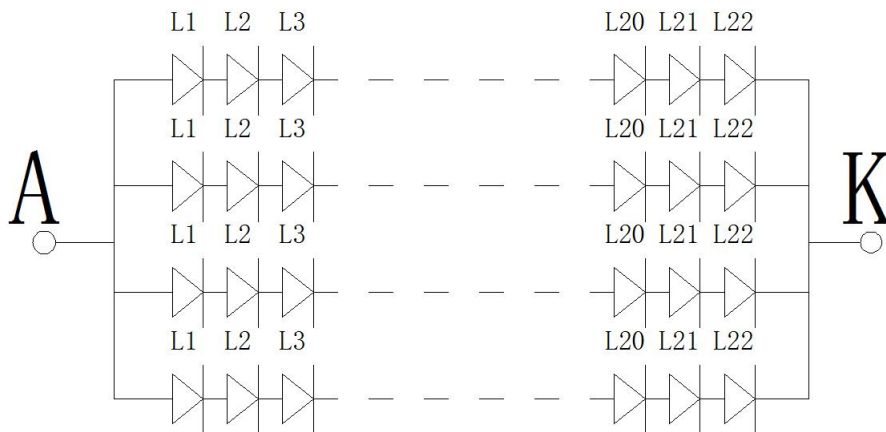
Note (1) The lifetime is defined as the time which luminance of the LED decays to 50% compared to the initial value, Operating condition: Continuous operating at Ta = 25 ± 2°C , IL=720mA.

The pin configuration for the housing and leader wire is shown in the table below.

Light bar connector type: JX-WC2-4300SKL0-001(Cvilux) 13PIN



The Light bar Diagram



LED Numbers: 1p 产品使用 2pcs 灯条，1pcs 灯条使用 88pcs 灯珠，电路是 22 串 4 并

6.2 OPTICAL CHARACTERISTICS

The relative measurement methods of optical characteristics are shown as below. The following items should be measured under the test conditions described in 6.1 and stable environment shown in Note (5).

Item		Symbol	Min.	Typ.	Max.	Unit	Note
Contrast Ratio		CR	2400	3000	—	—	
Response Time	Variation	G to G _α	—	8	16	ms	
	Gray to gray	G to G _{BW}	—	—	—		
Center Luminance of White		L _C		450			
White Variation		δW	—	—	—	-	
Transmittance		T		6.2		%	
Color Coordinates [CIE 1931]	Red	R _x	Typ. -0.03	0.660	Typ. +0.03	—	
		R _y		0.328		—	
	Green	G _x		0.277		—	
		G _y		0.588		—	
	Blue	B _x		0.140		—	
		B _y		0.108		—	
	White	W _x		0.294		—	
		W _y		0.341		—	
Viewing Angle (CR) 10)							
	X axis, right(Φ=0°)	θ _r	—	89	—	Deg.	
	X axis, left(Φ=180°)	θ _l	—	89	—		
	X axis, up(Φ=90°)	θ _u	—	89	—		
	X axis, down(Φ=270°)	θ _d	—	89	—		
Gray Scale			-	-	-		

Note (1) Definition of Viewing Angle (θ_x, θ_y):

Viewing angle are measured by CS-2000.

Note (2) Definition of Contrast Ratio (CR):

The contrast ratio can be calculated by the following expression.

$$\text{Contrast Ratio (CR)} = L_{255} / L_0$$

L₂₅₅: Luminance of gray level 255

L₀: Luminance of gray level 0

CR = CR (5), where CR (X) is corresponding to the Contrast Ratio of the point X at the figure in Note (6).

Note (3) Definition of Gray to Gray Switching Time:

The driving signal means the signal of luminance 0%,20%,40%,60%,80%,100%.

Gray to gray average time means the average switching time of luminance 0%,20%,40%,60%,80%,100% to each other.

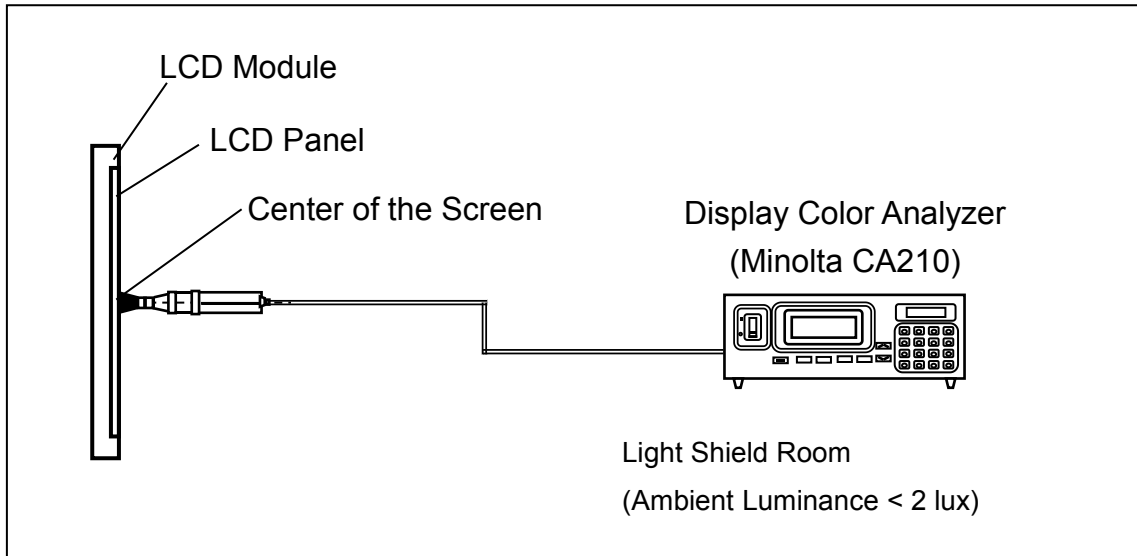
Note (4) Definition of Luminance of White (L_C):

Measure the luminance of gray level 255 at center point and 9 points

L_C = L (5), where L (X) is corresponding to the luminance of the point X at the figure in Note (6)

Note (5) Measurement Setup:

The LCD module should be stabilized at given temperature for 30 minutes to avoid abrupt temperature change during measuring. In order to stabilize the luminance, the measurement should be executed after lighting Backlight for 30 minutes in a windless room.



Note (6) Definition of White Variation (δW) :

Measure the luminance of gray level 255 at 5 points

$$\delta W = \text{Maximum [L (1), L (2), L (3), L (4), L (5)]} / \text{Minimum [L (1), L (2), L (3), L (4), L (5)]}$$

7. DEFINITION OF LABELS

7.1 LCD MODULE LABEL

The barcode nameplate is pasted on each module as illustration, and its definitions are as following explanation.



条码代码

JX-----嘉信光电

L-----产品系列，直下 D,侧入 L

430-----产品尺寸

A-----玻璃厂家

000-----订单号

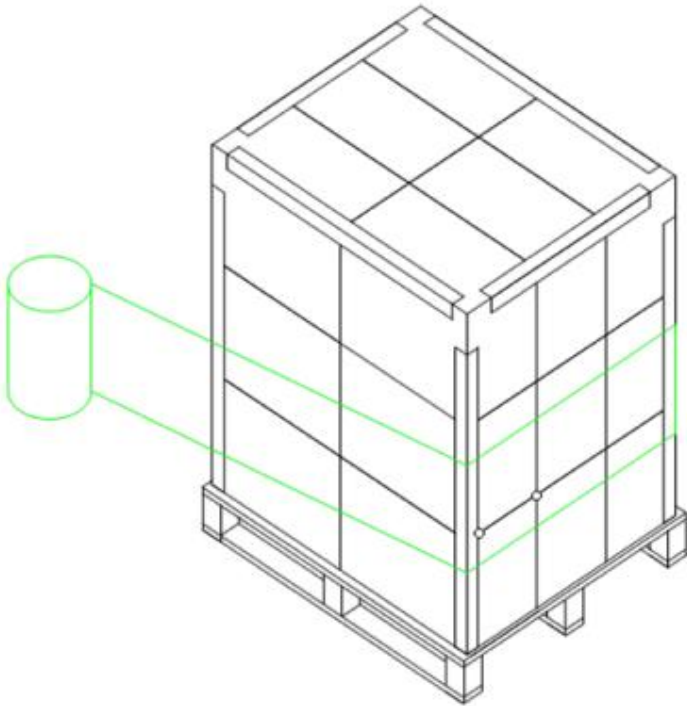
16621-----生产日期，16 年 6 月 21 日，如遇双月份则用 ABC 代替

0001-----流水码

7.2.PACKING

7.2.1 PACKING FORM

A Package quantity in one Pallet: 8pcs



深圳市嘉信光电科技有限公司 SHENZHEN JIAXIN ELECTRIC TECHNOLOGY CO.,LTD	
订单号 (Order No)	* * * * *
品名 (Product Name)	43寸侧入模组
料号 (Model Name)	JXL1430020
数量 (Quantities)	8PCS
日期 (Date)	* * * * *
备注 (Remark)	* * * * *
ROHS Verified	MADE IN CHINA

8.Precautions

Please pay attention to the followings when you use this TFT LCD Open Cell unit and strongly recommended to contact AUO if module process advice is required.

8.1 Storage

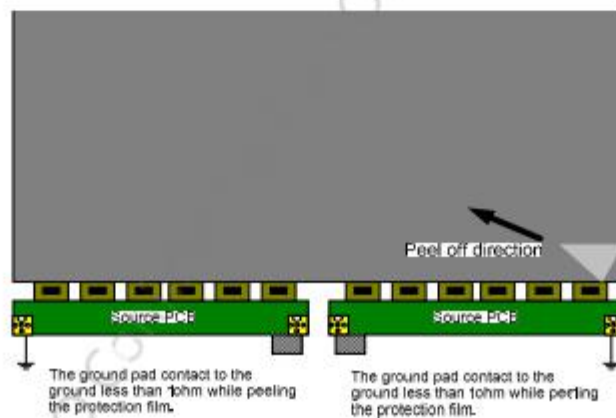
When storing open cell units, the following precautions are necessary.

- Store them in a dark place. Do not expose the open cell unit to sunlight or fluorescent light.
- Store them at the advised storage temperature between 5°C and 35°C at normal humidity(35%rH~75%rH).
- The polarizer surface should not come in contact with any other object. It is recommended that they be stored in the container in which they were shipped.
- Be careful of condensation. Condensation makes damage to polarizer or electrical contacted parts. And after fading condensation, smear or spot will occur.

8.2 Module Assembly

8.2.1 Protection film peeling

- The protection films of polarizer had attached on the both sides of open cell polarizer surfaces. Handlers should peel them off with care. While the protection film is being peeled off, static electricity is easily generated on the polarizer surface. Please follow the instructions listed below to reduce ESD failure risk.
- People who handle the unit should wear antistatic wristbands on hands. The band should be connected to the common ground with a current limiting resistor which is most commonly one megohm, rated at least 1/4 watt with a working voltage rating of 250 volts.
- Connect the grounded pads on source PCB to ground with less than 1 ohm resistance as below figure.
- The peeling direction is recommended in below figure.
- During peeling off process, ionized air should continuously & stably be blown on the surfaces of protection film and polarizer. The flow rate of ionized air should be monitored periodically.
- It is recommended to peel protection films off as slowly as possible. (constant speed more than 8 seconds per film.)
- The protection film should not be contacted to the IC(source and gate) or source PCB.



This figure is an example for peeling off protection film.

8.2.2 Assembly Precautions

- (a) Remove the stains with finger-stalls wearing soft gloves in order to keep the display clean in the process of the incoming inspection and the assembly process. When the surface becomes dusty, please wipe gently with absorbent cotton or other soft materials like chamois soaks with petroleum benzene. Normal-hexane is recommended for cleaning the adhesives used to attach front/ rear polarizers. Do not use acetone, toluene and alcohol because they cause chemical damage to the polarizer.
- (b) Do not touch, push or rub the exposed polarizers with glass, tweezers or anything harder than HB pencil lead. And please do not rub with dust clothes with chemical treatment. Do not touch the surface of polarizer with bare hands or greasy clothes. (Some cosmetics are detrimental to the polarizer.)
- (c) Use the tray to transport open cell can prevent open cell broken and electrical components damage.
- (d) You should consider the mounting structure so that uneven force (ex. Twisted stress) is not applied to the cell. And the frame on which a cell is mounted should have sufficient strength so that external force is not transmitted directly to the cell
- (e) Be careful not to give any extra mechanical stress to the panel when designing the set, and BLU kit.
- (f) Do not use cover case which made of acetic acid type and chlorine type materials because acetic acid type materials generates corrosive gas which will damage the polarizer at high temperature and chlorine type materials causes circuit break by electro-chemical reaction.
- (g) When the panel kit and BLU kit are assembled, the panel kit and BLU kit should be attached to the set system firmly by combining each mounted holes. Be careful not to give the mechanical stress. Electrostatic discharge may easily damage the electronic circuits on the open cell unit. Make certain that treatment persons are grounded, (ex: anti-static wristband or etc) and don't touch interface pin directly.

8.2.3 FFC & PCB Precautions

- (a) Refrain from applying any forces to the source PCB and the drive IC in the process of the handling or installing to the set. If any forces are applied to the product, it may cause damage or a malfunction in the panel kit.
- (b) Do not pull, fold or bend the source COF and the gate COF in any processes.
- (c) This panel has its circuitry of PCB's on the rear side, so it should be handled carefully in order for a force not to be applied.
- (d) Do not touch the pins of the interface connector directly with bare hands.
- (e) The connector is a precision device to connect PCB and transmit electrical signals. Operators should plug/un-plug the connector in parallel way during module assembly.
- (f) The cables between TV SET connector and Control PCB interface should be connected directly to have a minimized length. A longer cable between TV SET connector and Control PCB interface maybe operate abnormal display.

8.2.4 Flicker adjust

In order to prevent potential problems, flicker should be adjusted by optimizing the Vcom value in customer LCM Line through the I2C Interface. Detail settings please refer to appendix section.

8.3 Aging

Be sure to age for over 1 hour at least, which the product is driving initially to stabilize TFT Characteristic.

8.4 Operating Precautions

(a) Be cautious not to give any strong mechanical shock or any forces to the panel kit. Applying any forces to the panel may cause the abnormal operation or the damage to the panel kit and the back light unit kit.

(b) Avoid the condensation of water which may result in the improper operation of product.

(c) It is recommended to operate the LCD product under the normal conditions as below:

- VDD=12V

- Temperature=25±10℃

- Display pattern : continually changing pattern

(d) Response time depends on the temperature. (In lower temperature, it becomes longer)

(d) If the product will be used under extreme conditions such as under high temperature, humidity, display patterns or the operation time etc., it is strongly recommended to contact AUO for the advice about the application of engineering. Otherwise, its reliability and the function may not be guaranteed. Extreme conditions are commonly found at airports, transit stations, banks, stock markets, and controlling systems.

8.5 Others

(a) Module designer should apply adequate thermal solutions to keep the electrical components surface temperature under control limit (ex: Source Driver IC 100℃, Components on T-con PCB 85℃) Operations over the temperature can cause damages or decrease of lifetime.

(b) Protect the TFT LCD open cell unit out of the static electricity in all process. Otherwise the circuit IC could be damaged.

Reference: The environment ESD control standard of AUO

Item	Control standard
ESD	All environment ESD controlled under 200V
Ground resistance	All equipment ground should be less than 1ohm.

(b) Note that polarizer could be damaged easily. Do not press or scratch the bare surface with the material which is harder than a HB pencil lead.

(c) Wipe off water droplets or oil immediately. If you leave the droplets for a long time on the product, the stain or the discoloration may occur.

(d) If the surface of the polarizer is dirty, clean it using the absorbent cotton or the soft cloth.

(e) If the liquid crystal material leaks from the panel, this should be kept away from the eyes or mouth. If this contacts to hands, legs, or clothes, you must washed it away with soap thoroughly and see a doctor for the medical examination.

(f) The module has high frequency circuits. The sufficient suppression to the electromagnetic interference should be done by the system manufacturers. The grounding and shielding methods is important to minimize the interference. The sufficient suppression to the EMI should be done by the set manufacturers.

9.0 MECHANICAL CHARACTERISTICS

