

TITLE : AML185WHB-N20
Product Specification Rev. P0

Shenzhen Amelin Electronic Technology Co.,Ltd

SPEC. NUMBER	PRODUCT GROUP	Rev. P0	ISSUE DATE	PAGE
S	TFT LCD		2017.01.06	1 OF 27

REVISION HISTORY

Preliminary specification

Final specification

Revision No.	Page	Description of changes	Date	Prepared
P0		Initial Release	2017.01.06	Tian Chao

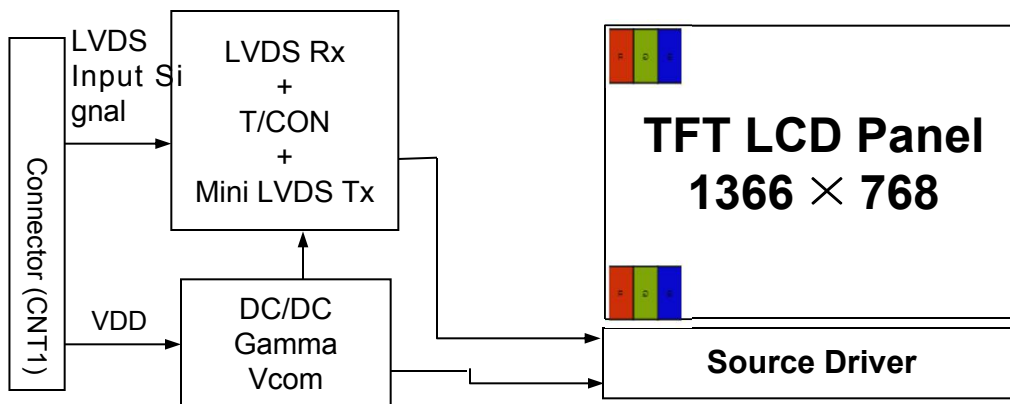
Contents

No.	Item	Page
1.0	General Description	4
2.0	Absolute Maximum Ratings	6
3.0	Electrical Specifications	7
4.0	Optical Specifications	8
5.0	Interface Connection	10
6.0	Signal Timing Specifications	13
7.0	Signal Timing Waveforms of Interface Signal	15
8.0	Input Signals, Display Colors & Gray Scale of Colors	17
9.0	Power Sequence	18
10.0	Mechanical Characteristics	19
11.0	Reliability Test	20
12.0	Handling & Cautions	21
13.0	Product Serial Number	22
14.0	Packing	23
15.0	Appendix	25

1.0 GENERAL DESCRIPTION

1.1 Introduction

AML185WHB-N20 is a color active matrix TFT LCD open cell using amorphous silicon TFT's (Thin Film Transistors) as an active switching devices. This open cell has a 18.5 inch diagonally measured active area with HD resolutions (1366 horizontal by 768 vertical pixel array). Each pixel is divided into RED, GREEN, BLUE dots which are arranged in vertical stripe and this module can display 16.7M colors. The TFT-LCD panel used for this OC is adapted for a low reflection and higher color type.



1.2 Features

- **LVDS Interface with 1 pixel / clock**
- High-speed response
- 6-bit (Hi-FRC) color depth, display 16.7M colors
- High luminance and contrast ratio, low reflection and wide viewing angle
- DE (Data Enable) only
- RoHS/Halogen Free
- Gamma Correction
- Reverse type

1.3 Application

- Desktop Type of PC & Workstation Use
- Slim-Size Display for Stand-alone Monitor
- Display Terminals for Control System
- Monitors for Process Controller

1.4 General Specification

The followings are general specifications at the model AML185WHB-N20.

<Table 1. General Specifications>

Parameter	Specification	Unit	Remarks
Active area	409.8(H) X 230.4(V)	mm	
Number of pixels	1366(H) ×768(V)	pixels	
Sub Pixel Pitch	0.100(H) x 0.300(V)	mm	
Pixel arrangement	RGB Vertical stripe		
Display colors	16.7M	colors	
Display mode	Normally Black		
Open Cell Transmittance	5.2	%	At center point with BLU
Weight	TBD	g	
Surface Treatment	Haze 25%, 3H		
Outline Dimension	430.37*254.6*9.5 MM		
Interface	LVDS		

2.0 ABSOLUTE MAXIMUM RATINGS

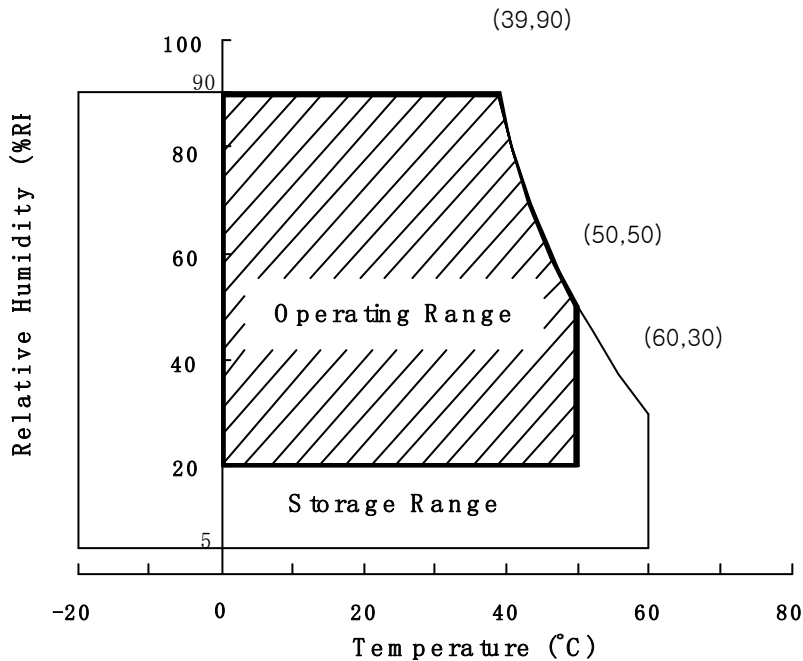
The followings are maximum values which, if exceed, may cause faulty operation or damage to the unit. The operational and non-operational maximum voltage and current values are listed in Table 2.

< Table 2. Absolute Maximum Ratings >

[VSS=GND=0V]

Parameter	Symbol	Min.	Max.	Unit	Remarks
Power Supply Voltage	V _{DD}	-0.3	5.5	V	Ta = 25 °C
Logic Supply Voltage	V _{IN}	VSS-0.3	V _{DD} +0.3	V	
Operating Temperature	T _{OP}	0	+50	°C	1)
Storage Temperature	T _{ST}	-20	+60	°C	1)

Note : 1) Temperature and relative humidity range are shown in the figure below.
Wet bulb temperature should be 39 °C max. and no condensation of water.



3.0 ELECTRICAL SPECIFICATIONS

3.1 Electrical Specifications

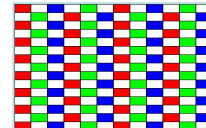
< Table 3. Electrical specifications >

[Ta =25±2 °C]

Parameter		Min.	Typ.	Max.	Unit	Remarks
Power Supply Voltage	V _{DD}	4.5	5.0	5.5	V	Note1
Power Supply Current	I _{DD}	-	500	720	mA	
In-Rush Current	I _{RUSH}	-	2.0	3.0	A	Note 2
Permissible Input Ripple Voltage	V _{RF}	-	-	300	mV	Note1,3
High Level Differential Input Threshold Voltage	V _{IH}	-	-	+100	mV	
Low Level Differential Input Threshold Voltage	V _{IL}	-100	-	-	mV	
Differential input voltage	V _{ID}	200	-	600	mV	
Differential input common mode voltage	V _{cm}	1.0	1.2	1.5		V _{IH} =100mV, V _{IL} =-100mV
Power Consumption	P _D	-	2.5	3.6	W	@60Hz

Notes : 1. The supply voltage is measured and specified at the interface connector of LCM.
The current draw and power consumption specified is for VDD=5.0V, Frame rate=60Hz
Clock frequency 75.4MHz. Test Pattern of power supply current

- a) Typ : Color Test
- b) Max : Skip Sub-pixel



- 2. Duration of rush current is about 2 ms and rising time of VDD is 520 μs ± 20 %
- 3. Ripple Voltage should be covered by Input voltage Spec.

4.0 OPTICAL SPECIFICATION

4.1 Overview

The test of Optical specifications shall be measured in a dark room (ambient luminance ≤ 1 lux and temperature = $25 \pm 2^\circ\text{C}$) with the equipment of Luminance meter system (Goniometer system and TOPCONE PR730) and test unit shall be located at an approximate distance 50cm from the LCD surface at a viewing angle of Θ and Φ equal to 0° . We refer to $\Theta_{\theta=0}$ ($=\Theta_3$) as the 3 o'clock direction (the "right"), $\Theta_{\theta=90}$ ($=\Theta_{12}$) as the 12 o'clock direction ("upward"), $\Theta_{\theta=180}$ ($=\Theta_9$) as the 9 o'clock direction ("left") and $\Theta_{\theta=270}$ ($=\Theta_6$) as the 6 o'clock direction ("bottom"). While scanning Θ and/or Φ , the center of the measuring spot on the Display surface shall stay fixed. The measurement shall be executed after 30 minutes warm-up period. VDD shall be 5.0V +/-10% at 25°C . Optimum viewing angle direction is 6 o'clock.

4.2 Optical Specifications

[VDD = 5.0V, Frame rate = 60Hz, Clock = 74.25MHz, $T_a = 25 \pm 2^\circ\text{C}$]

< Table 5. Module Optical >

Parameter		Symbol	Condition	Min.	Typ.	Max.	Unit	Remark
Viewing Angle range	Horizontal	Θ_3	CR > 10	85	89	-	Deg.	Note 1
		Θ_9		85	89	-	Deg.	
	Vertical	Θ_{12}		85	89	-	Deg.	
		Θ_6		85	89	-	Deg.	
Luminance Contrast ratio		CR		700	1000			Note 2
Cell Transmittance		Tr		-	5.2		%	Note 3
Reproduction of color	White	W_x	$\Theta = 0^\circ$ (Center) Normal Viewing Angle	0.283	0.313	0.343	-	Note 4 (BL)
		W_y		0.299	0.329	0.359	-	
	Red	R_x		-	T.B.D	-	-	
		R_y		-	T.B.D	-	-	
	Green	G_x		-	T.B.D	-	-	
		G_y		-	T.B.D	-	-	
	Blue	B_x		-	T.B.D	-	-	
		B_y		-	T.B.D	-	-	
Response Time	GTG	T_g		14	20	ms	Note 5	
Cross Talk		CT		-	-	2.0	%	Note 6

Note :

1. Viewing angle is the angle at which the contrast ratio is greater than 10. The viewing are determined for the horizontal or 3, 9 o'clock direction and the vertical or 6, 12 o'clock direction with respect to the optical axis which is normal to the LCD surface.
2. Contrast measurements shall be made at viewing angle of $\theta = 0^\circ$ and at the center of the LCD surface. Luminance shall be measured with all pixels in the view field set first to white, then to the dark (black) state. (See FIGURE 1 shown in Appendix) Luminance Contrast Ratio (CR) is defined mathematically.

$$CR = \frac{\text{Luminance when displaying a white raster}}{\text{Luminance when displaying a black raster}}$$

3. Luminance of LCD module shall be made without signal input. Cell transmittance is defined mathematically, BLU provided by AMELIN.

$$\text{Transmittance} = \frac{\text{Luminance of LCD Module}}{\text{Luminance of BLU}}$$

4. The color chromaticity coordinates specified in Table 5. shall be calculated from the spectral data measured with all pixels first in red, green, blue and white. Measurements shall be made at the center of the panel.
5. Response time Tg is the average time required for display transition by switching the input signal as below table and is based on Frame rate fV =60Hz to optimize.
Each time in below table is defined as appendix Figure 3 and shall be measured by switching the input signal for "any level of gray(bright)" and "any level of gray(dark)"
6. Cross-Talk of one area of the LCD surface by another shall be measured by comparing the luminance (Y_A) of a 25mm diameter area, with all display pixels set to a gray level, to the luminance (Y_B) of that same area when any adjacent area is driven dark. (See Figure 4 shown in Appendix).

5.0 INTERFACE CONNECTION.

5.1 Electrical Interface Connection

- CN1 Module Side Connector : UJU IS100-L30R-C23or Equivalent
User Side Connector : JAE FI-X30H or Equivalent

Pin No	Symbol	Function	Remark
1	NC	Not Connect	
2	NC	Not Connect(*Reserved for LCD manufacturer's use)	
3	NC	Not Connect(*Reserved for LCD manufacturer's use)	
4	GND	Power Ground	
5	RX0-	Negative Transmission data of Pixel 0	
6	RX0+	Positive Transmission data of Pixel 0	
7	GND	Power Ground	
8	RX1-	Negative Transmission data of Pixel 1	
9	RX1+	Positive Transmission data of Pixel 1	
10	GND	Power Ground	
11	RX2-	Negative Transmission data of Pixel 2	
12	RX2+	Positive Transmission data of Pixel 2	
13	GND	Power Ground	
14	RXCLK-	Negative Transmission Clock	
15	RXCLK+	Positive Transmission Clock	
16	GND	Power Ground	
17	RX3-	Negative Transmission data of Pixel 3	
18	RX3+	Positive Transmission data of Pixel 3	
19	GND	Power Ground	
20	NC	Not Connect	
21	NC		
22	NC		
23	GND	Power Ground	
24	GND		
25	GND		
26	VDD	Power Supply: +5V	
27	VDD		
28	VDD		
29	VDD		
30	VDD		

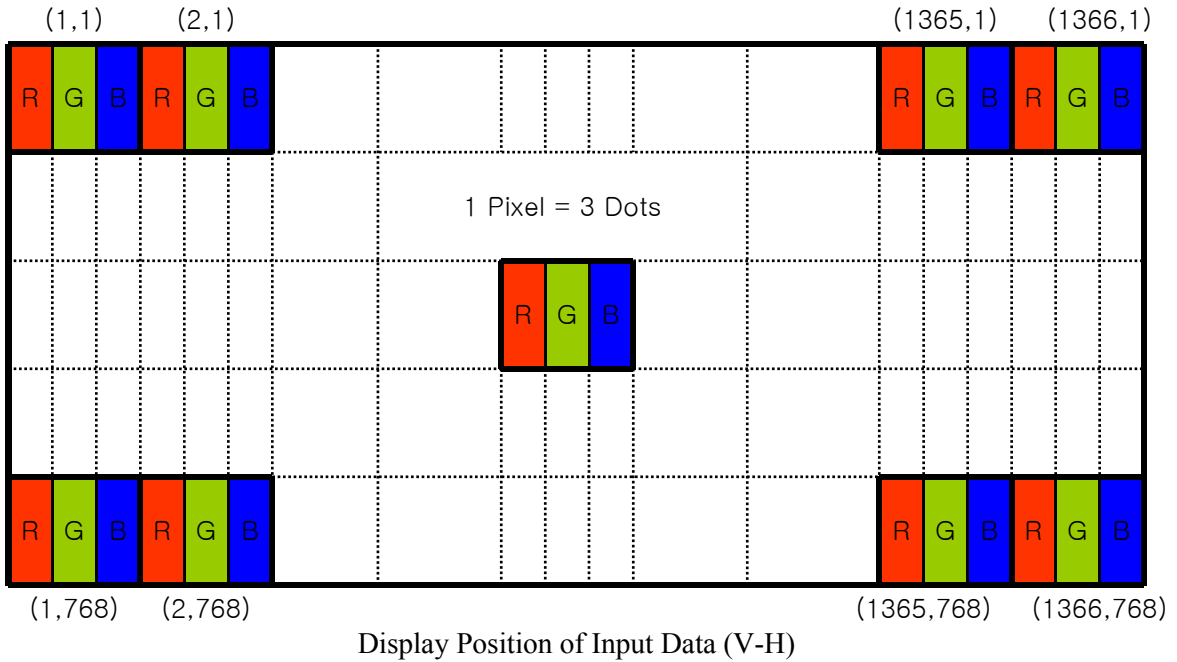
Note 1 : This pin should be connected with GND.

5.2 LVDS Interface (Tx; THC63LVDF83A or Equivalent)

5.2.1 LVDS Interface

	Input Signal	Transmitter		Interface		AML185WHB-N20 (CN11)	Remark
		Pin No.	Pin No.	System (Tx)	TFT-LCD (Rx)	Pin No.	
LVDS	OR0	51	48 47	OUT0- OUT0+	RX0- RX0+	5 6	
	OR1	52					
	OR2	54					
	OR3	55					
	OR4	56					
	OR5	3					
	OG0	4					
	OG1	6	46 45	OUT1- OUT1+	RX1- RX1+	8 9	
	OG2	7					
	OG3	11					
	OG4	12					
	OG5	14					
	OB0	15					
	OB1	19					
	OB2	20	42 41	OUT2- OUT2+	RX2- RX2+	11 12	
	OB3	22					
	OB4	23					
	OB5	24					
	Hsync	27					
	Vsync	28					
DE	30						
MCLK	31	40 39	CLK OUT- CLK OUT+	RX CLK- RX CLK+	14 15		
OR6	50	38 37	OUT3- OUT3+	RX3- RX3+	17 18		
OR7	2						
OG6	8						
OG7	10						
OB6	16						
OB7	18						
RSVD	25						

5.3 Data Input Format



6.0 SIGNAL TIMING SPECIFICATION

6.1 The AML185WHB-N20 is operated by the DE only.

Item	Symbols		Min	Typ	Max	Unit
DCLK	Period	tCLK	10.6	13.26	15.91	ns
	Frequency	-	62.9	75.4	94.3	MHz
Horizontal Display Term	Period	tHP	1446	1560	1936	tCLK
	Horizontal Valid	tHV	1366	1366	1366	tCLK
	Horizontal Blank	tHB	80	194	570	tCLK
	Frequency	fH	40.3	48.36	60.45	KHz
Vertical Display Term	Period	tVP	778	806	888	tHP
	Vertical Valid	tVV	768	768	768	tHP
	Vertical Blank	tVB	10	98	120	tHP
	Frequency	fV	50	60	75	Hz
LVDS Receiver clock	Input spread spectrum ratio	SSr	-3	-	+3	%

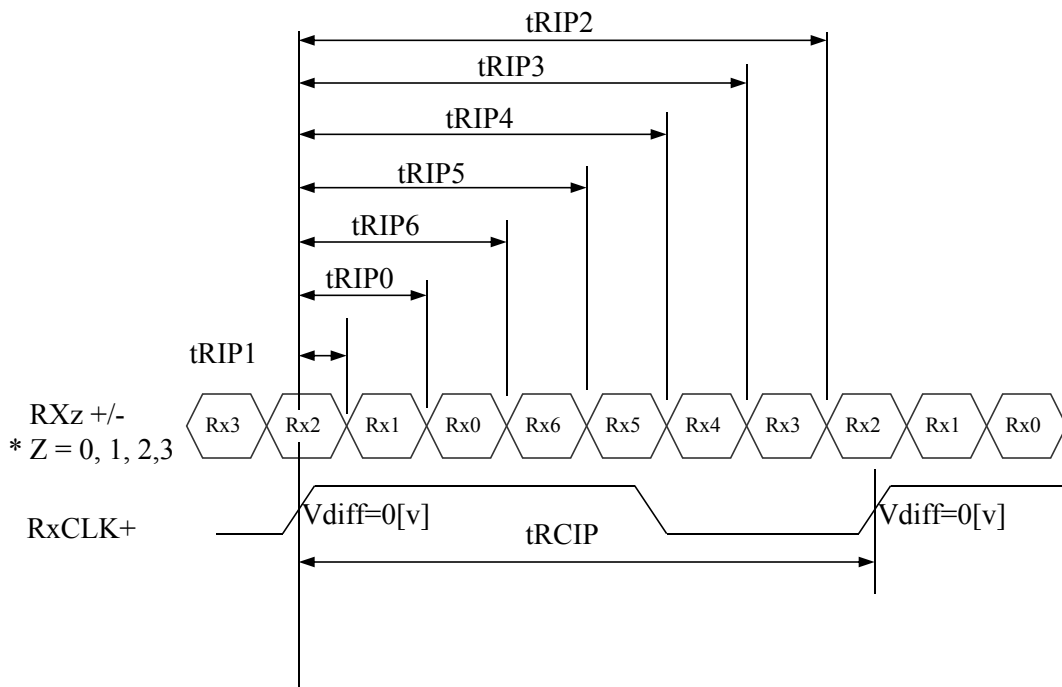
Note: The DCLK range at last line of V-blanking should be set in 0~987

6.2 LVDS Rx Interface Timing Parameter

The specification of the LVDS Rx interface timing parameter is shown in Table 4.

<Table 4. LVDS Rx Interface Timing Specification>

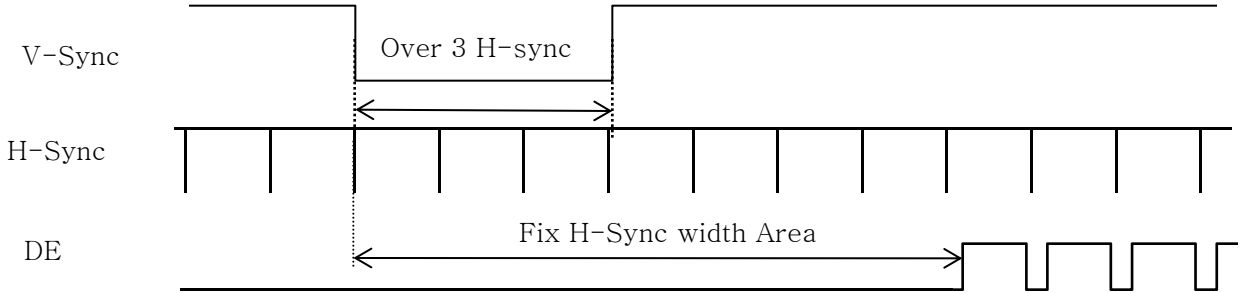
Item	Symbol	Min	Typ	Max	Unit	Remark
CLKIN Period	tRCIP	10.60	13.26	15.91	nsec	
Input Data 0	tRIP1	-0.4	0.0	+0.4	nsec	
Input Data 1	tRIP0	tRCIP/7-0.4	tRCIP/7	tRCIP/7+0.4	nsec	
Input Data 2	tRIP6	2 ×tRCIP/7-0.4	2 ×tRCIP/7	2 ×tRCIP/7+0.4	nsec	
Input Data 3	tRIP5	3 ×tRCIP/7-0.4	3 ×tRCIP/7	3 ×tRCIP/7+0.4	nsec	
Input Data 4	tRIP4	4 ×tRCIP/7-0.4	4 ×tRCIP/7	4 ×tRCIP/7+0.4	nsec	
Input Data 5	tRIP3	5 ×tRCIP/7-0.4	5 ×tRCIP/7	5 ×tRCIP/7+0.4	nsec	
Input Data 6	tRIP2	6 ×tRCIP/7-0.4	6 ×tRCIP/7	6 ×tRCIP/7+0.4	nsec	



* Vdiff = (RXz+)-(RXz-),..., (RXCLK+)-(RXCLK-)

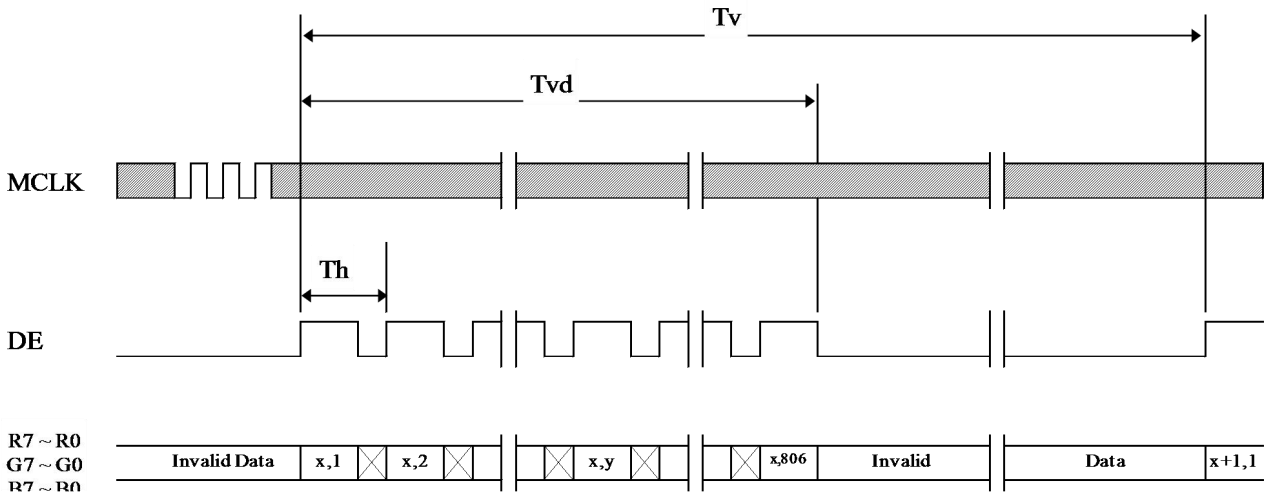
7.0 SIGNAL TIMING WAVEFORMS OF INTERFACE SIGNAL

7.1 Sync Timing Waveforms

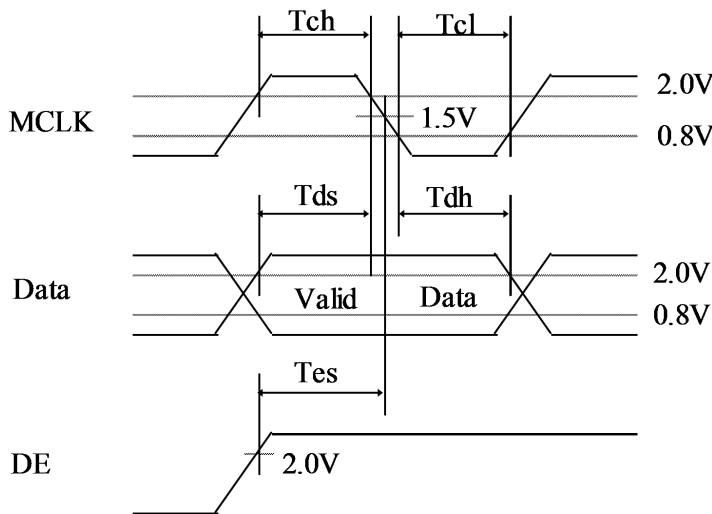
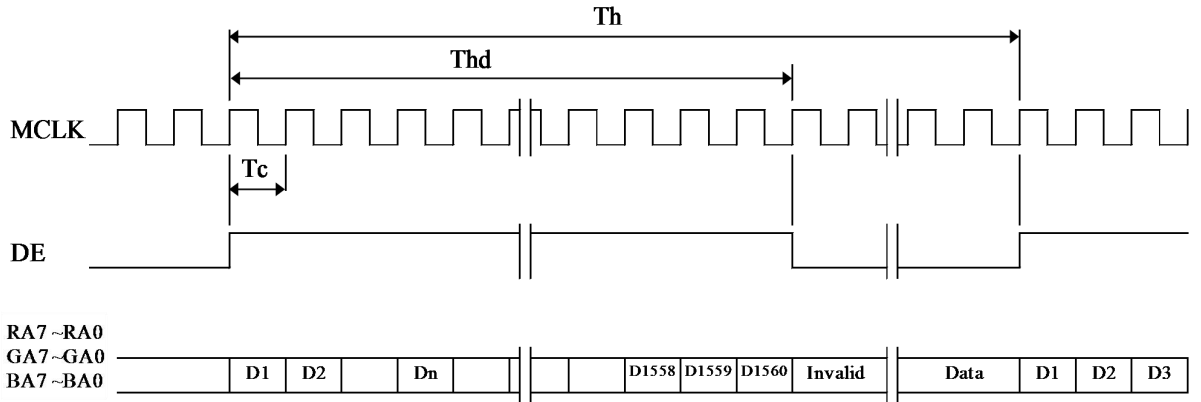


- 1) Need over 3 H-sync during V-Sync Low
- 2) Fix H-Sync width from V-Sync falling edge to first rising edge

7.2 Vertical Timing Waveforms



7.3 Horizontal Timing Waveforms

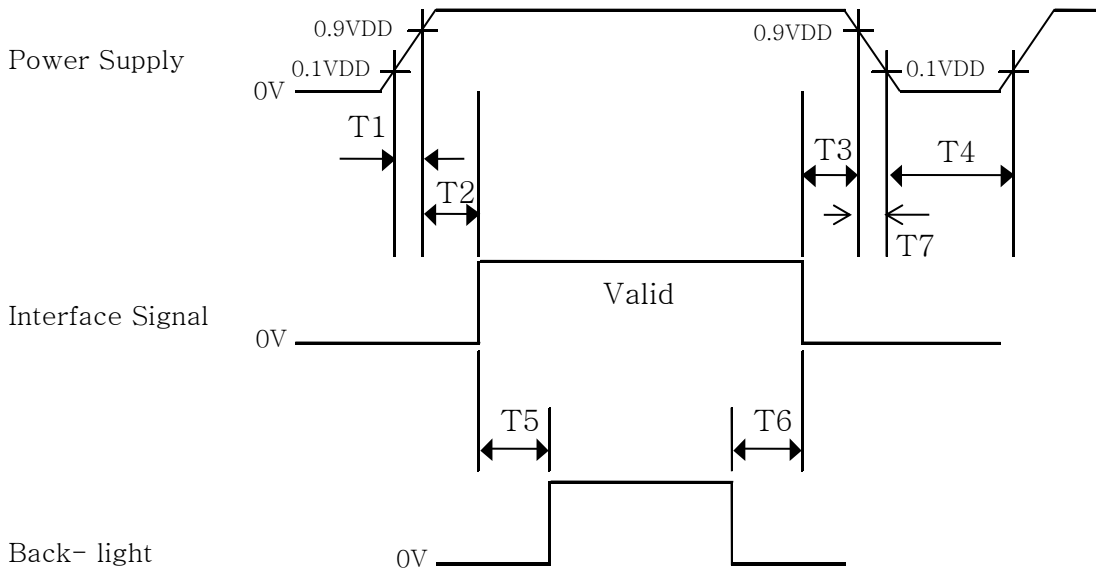


8.0 INPUT SIGNALS, BASIC DISPLAY COLORS & GRAY SCALE OF COLORS

Color & Gray Scale		RED DATA								GREEN DATA								BLUE DATA							
		R7	R6	R5	R4	R3	R2	R1	R0	G7	G6	G5	G4	G3	G2	G1	G0	B7	B6	B5	B4	B3	B2	B1	B0
Basic Colors	Black	0	0	0	0	0	0	0	0	0	0	0	0	0	0	0	0	0	0	0	0	0	0	0	0
	Blue	0	0	0	0	0	0	0	0	0	0	0	0	0	0	0	0	1	1	1	1	1	1	1	1
	Green	0	0	0	0	0	0	0	0	1	1	1	1	1	1	1	1	0	0	0	0	0	0	0	0
	Cyan	0	0	0	0	0	0	0	0	1	1	1	1	1	1	1	1	1	1	1	1	1	1	1	1
	Red	1	1	1	1	1	1	1	1	0	0	0	0	0	0	0	0	0	0	0	0	0	0	0	0
	Magenta	1	1	1	1	1	1	1	1	0	0	0	0	0	0	0	0	1	1	1	1	1	1	1	1
	Yellow	1	1	1	1	1	1	1	1	1	1	1	1	1	1	1	1	0	0	0	0	0	0	0	0
	White	1	1	1	1	1	1	1	1	1	1	1	1	1	1	1	1	1	1	1	1	1	1	1	1
Gray Scale of RED	Black	0	0	0	0	0	0	0	0	0	0	0	0	0	0	0	0	0	0	0	0	0	0	0	
	△	0	0	0	0	0	0	1	0	0	0	0	0	0	0	0	0	0	0	0	0	0	0	0	
	Darker	0	0	0	0	0	0	1	0	0	0	0	0	0	0	0	0	0	0	0	0	0	0	0	
	△																								
	▽																								
	Brighter	1	1	1	1	1	1	0	1	0	0	0	0	0	0	0	0	0	0	0	0	0	0	0	
	▽	1	1	1	1	1	1	0	0	0	0	0	0	0	0	0	0	0	0	0	0	0	0	0	
	Red	1	1	1	1	1	1	1	0	0	0	0	0	0	0	0	0	0	0	0	0	0	0	0	
Gray Scale of GREEN	Black	0	0	0	0	0	0	0	0	0	0	0	0	0	0	0	0	0	0	0	0	0	0		
	△	0	0	0	0	0	0	0	0	0	0	0	0	0	0	0	0	0	0	0	0	0	0		
	Darker	0	0	0	0	0	0	0	0	0	0	0	0	0	1	0	0	0	0	0	0	0	0		
	△																								
	▽																								
	Brighter	0	0	0	0	0	0	0	1	1	1	1	1	1	0	0	0	0	0	0	0	0			
	▽	0	0	0	0	0	0	0	1	1	1	1	1	1	0	0	0	0	0	0	0	0			
	Green	0	0	0	0	0	0	0	1	1	1	1	1	1	0	0	0	0	0	0	0	0			
Gray Scale of BLUE	Black	0	0	0	0	0	0	0	0	0	0	0	0	0	0	0	0	0	0	0	0	0			
	△	0	0	0	0	0	0	0	0	0	0	0	0	0	0	0	0	0	0	0	0	1			
	Darker	0	0	0	0	0	0	0	0	0	0	0	0	0	0	0	0	0	0	0	1	0			
	△																								
	▽																								
	Brighter	0	0	0	0	0	0	0	0	0	0	0	0	0	1	1	1	1	1	1	0	1			
	▽	0	0	0	0	0	0	0	0	0	0	0	0	0	1	1	1	1	1	1	1	0			
	Blue	0	0	0	0	0	0	0	0	0	0	0	0	0	1	1	1	1	1	1	1	1			
Gray Scale of WHITE	Black	0	0	0	0	0	0	0	0	0	0	0	0	0	0	0	0	0	0	0	0	0			
	△	0	0	0	0	0	0	1	0	0	0	0	0	0	0	0	0	0	0	0	0	1			
	Darker	0	0	0	0	0	0	1	0	0	0	0	0	0	0	0	0	0	0	0	1	0			
	△																								
	▽																								
	Brighter	1	1	1	1	1	0	1	1	1	1	1	0	1	1	1	1	1	1	0	1				
	▽	1	1	1	1	1	1	0	1	1	1	1	1	0	1	1	1	1	1	1	0				
	White	1	1	1	1	1	1	1	1	1	1	1	1	1	1	1	1	1	1	1	1	1			

9.0 POWER SEQUENCE

To prevent a latch-up or DC operation of the LCD module, the power on/off sequence shall be as shown in below



- $0.5\text{ ms} \leq T1 \leq 10\text{ ms}$
- $0 \leq T2 \leq 50\text{ ms}$
- $0 \leq T3 \leq 50\text{ ms}$
- $1\text{ sec} \leq T4$
- $200\text{ ms} \leq T5$
- $200\text{ ms} \leq T6$

Notes:

1. When the power supply VDD is 0V, keep the level of input signals on the low or keep high impedance.
2. Do not keep the interface signal high impedance when power is on.
3. Back Light must be turn on after power for logic and interface signal are valid.
4. T7 decreases smoothly, there is none re-bouncing voltage.
5. The above power sequence be satisfied at these case
 - a. AC/DC Power On/Off
 - b. Mode Change(Resolution, Frequency, Timing, Sleep Mode, Color Depth Change, etc)

If not to follow power sequence, these is a risk of abnormal display.

10.0 MECHANICAL CHARACTERISTICS

10.1 Dimensional Requirements

FIGURE 5 (located in Appendix) shows mechanical outlines for the model AML185WHB-N20 Other parameters are shown in Table 8.

<Table 8. Dimensional Parameters>

Parameter	Specification	Unit
Weight	TBD	gram
Active area	409.8(H) X 230.4(V)	mm
Sub Pixel pitch	0.100(H) x 0.300(V)	mm
Number of pixels	1366(H)×768 (V) (1 pixel = R + G + B dots)	pixels

10.2 Mounting

See FIGURE 5 . (shown in Appendix)

10.3 Anti-Glare and Polarizer Hardness.

The surface of the LCD has an anti-glare coating to minimize reflection and a coating to reduce scratching.

10.4 Light Leakage

There shall not be visible light from the back-lighting system around the edges of the screen as seen from a distance 50cm from the screen with an overhead light level of 350lux.

11.0 RELIABILITY TEST

The Reliability test items and its conditions are shown in below.

<Table 9 Reliability Test Parameters >

No	Test Items	Conditions
1	High temperature storage test	Ta = 60 °C, 240 hrs
2	Low temperature storage test	Ta = -20 °C, 240 hrs
3	High temperature & high humidity operation test	Ta = 50 °C, 80%RH, 240hrs
4	High temperature operation test	Ta = 50 °C, 240hrs
5	Low temperature operation test	Ta = 0°C, 240hrs
6	Thermal shock	Ta = -20 °C ↔ 60 °C (0.5 hr), 100 cycle
7	Vibration test (non-operating)	Frequency Random, 10 ~ 300 Hz, 30 min/Axis Gravity / AMP 1.5 Grms Period X, Y, Z 30 min
8	Shock test (non-operating)	Gravity 50G
		Pulse width 11msec, sine wave
		Direction ±X, ±Y, ±Z Once for each
9	Electro-static discharge test	Air : 150 pF, 330Ω, 15 KV Contact : 150 pF, 330Ω, 8 KV

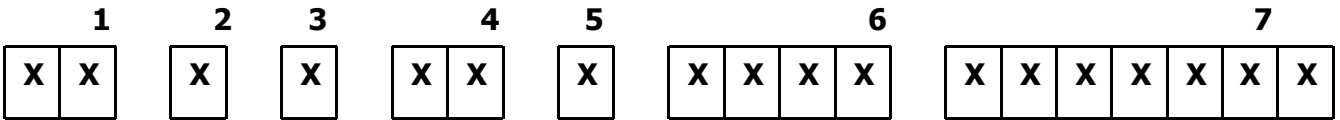
12.0 HANDLING & CAUTIONS

- (1) Cautions when taking out the module
 - Pick the pouch only, when taking out module from a shipping package.
- (2) Cautions for handling the module
 - As the electrostatic discharges may break the LCD module, handle the LCD module with care. Peel a protection sheet off from the LCD panel surface as slowly as possible.
 - As the LCD panel and back - light element are made from fragile glass material, impulse and pressure to the LCD module should be avoided.
 - As the surface of the polarizer is very soft and easily scratched, use a soft dry cloth without chemicals for cleaning.
 - Do not pull the interface connector in or out while the LCD module is operating.
 - Put the module display side down on a flat horizontal plane.
 - Handle connectors and cables with care.
- (3) Cautions for the operation
 - When the module is operating, do not lose CLK, ENAB signals. If any one of these signals is lost, the LCD panel would be damaged.
 - Obey the supply voltage sequence. If wrong sequence is applied, the module would be damaged.
- (4) Cautions for the atmosphere
 - Dew drop atmosphere should be avoided.
 - Do not store and/or operate the LCD module in a high temperature and/or humidity atmosphere. Storage in an electro-conductive polymer packing pouch and under relatively low temperature atmosphere is recommended.
- (5) Cautions for the module characteristics
 - Do not apply fixed pattern data signal to the LCD module at product aging.
 - Applying fixed pattern for a long time may cause image sticking.
- (6) Other cautions
 - Do not disassemble and/or re-assemble LCD module.
 - Do not re-adjust variable resistor or switch etc.
 - When returning the module for repair or etc., Please pack the module not to be broken. We recommend to use the original shipping packages.

13.0 PRODUCT SERIAL NUMBER



Label Size: 40mm (L) x 9 mm (W)

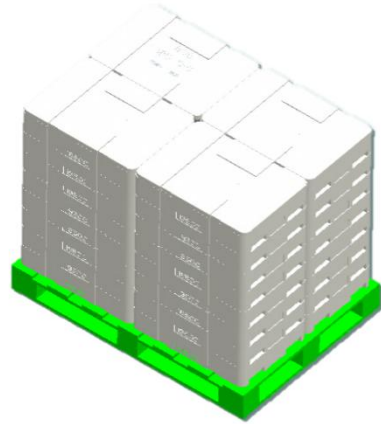
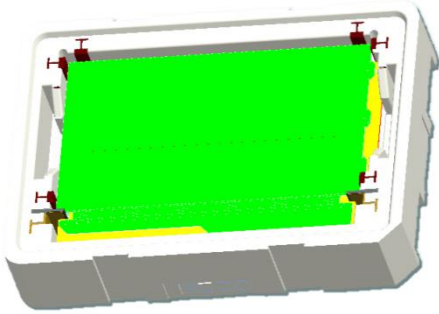


- 1. Control Number
- 2. Rank / Grade
- 3. Line Classification
- 4. Year (2001 : 01, 2002 : 02, ...)

- 5. Month (1,2,3, ... , 9, X, Y, Z)
- 6. Internal Use
- 7. Serial Number

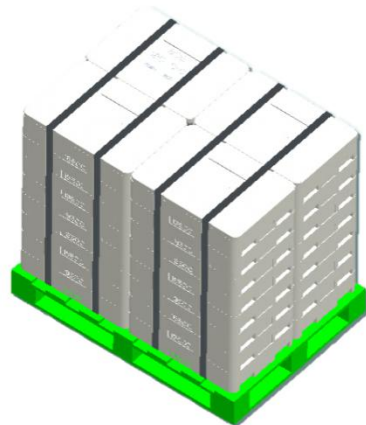
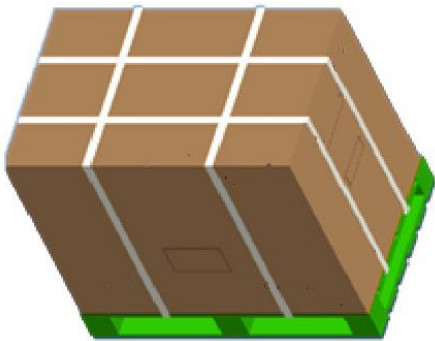
14.0 Packing

14.1 Packing Order



Put EPE pads and open cells into the box, 20 pcs open cells per box.

Place the paper pad on the pallet, and put the EPO boxes on the pallet (8ea boxes per row) and a cover on the top of the boxes.



Cover with 1 out box.
Pack with 4 packing belts.

Pack with 4 belts (32ea boxes and 4 covers per pallet).

14.2 Packing Note

- Box Dimension : 384mm(W) × 497mm(L) × 118mm(H)
- Package Quantity in one Box : 20pcs

14.3 Box label

- Label Size : 108 mm (L) × 56 mm (W)

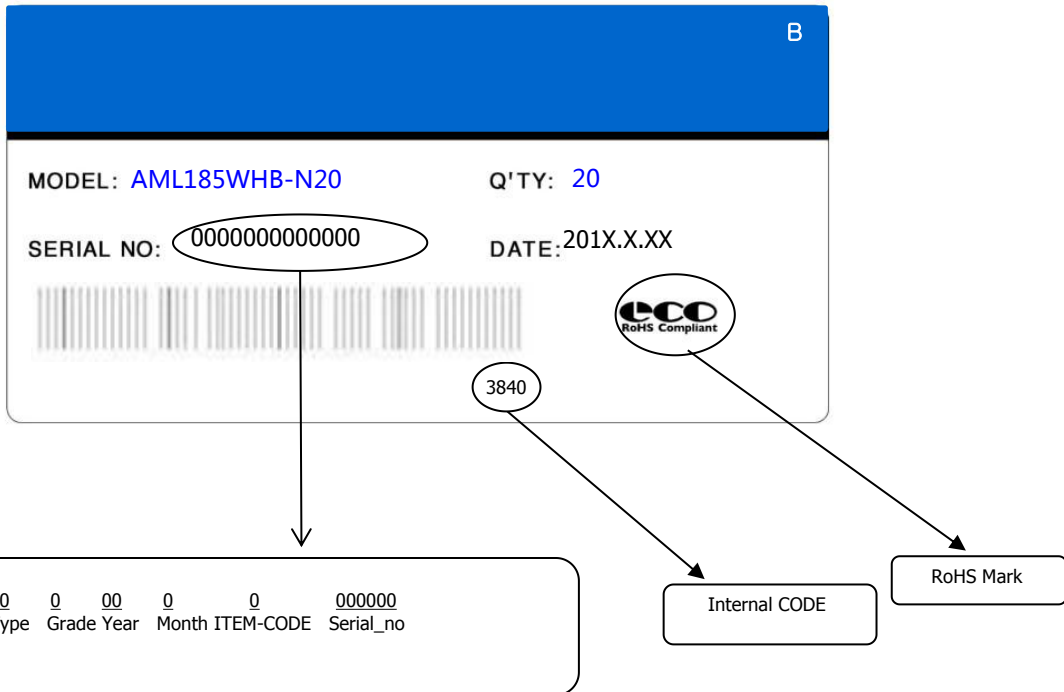
- Contents

Model : AML185WHB-N20

Q`ty : Module 20 Q`ty in one box

Serial No. : Box Serial No. See next page for detail description.

Date : Packing Date



15.0 APPENDIX

Figure 1. Measurement Set Up

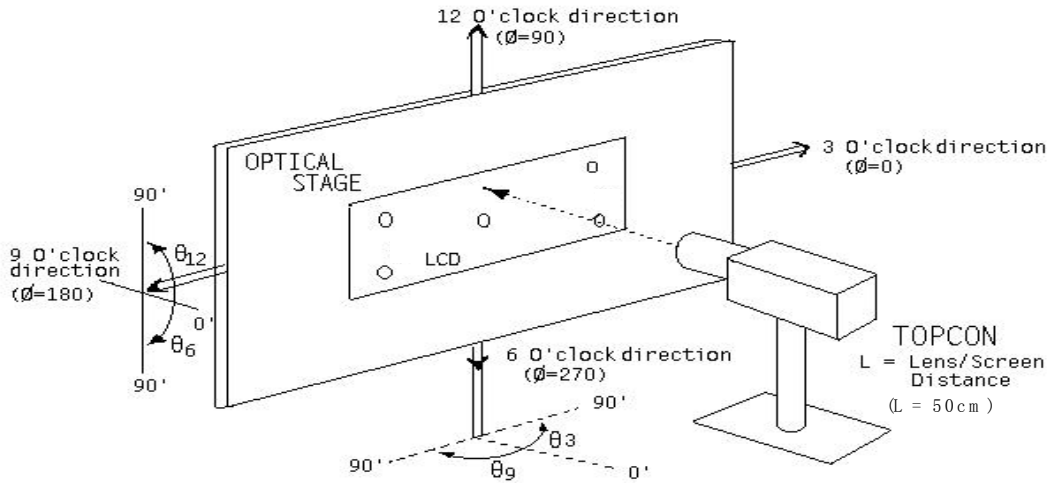


Figure 2. White Luminance and Uniformity Measurement Locations (9 points)

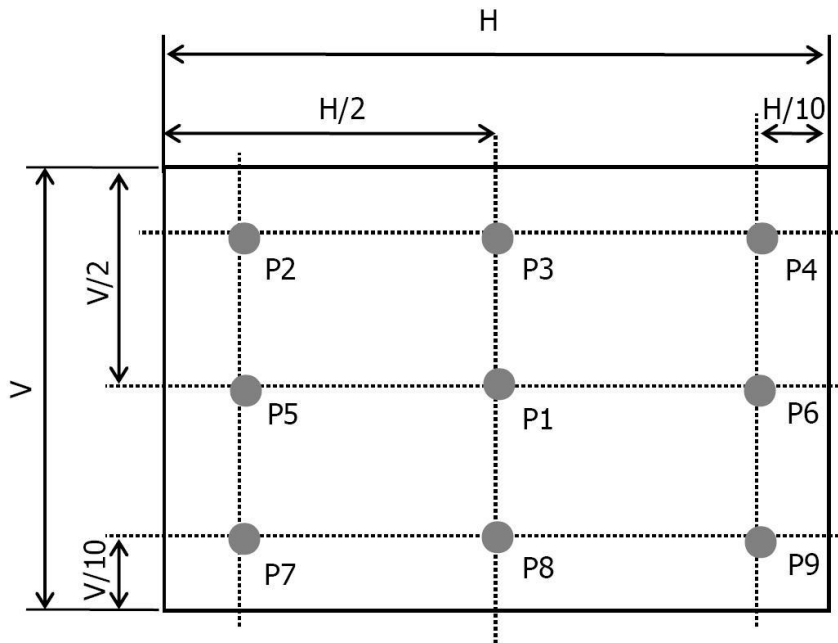


Figure 3. Response Time Testing

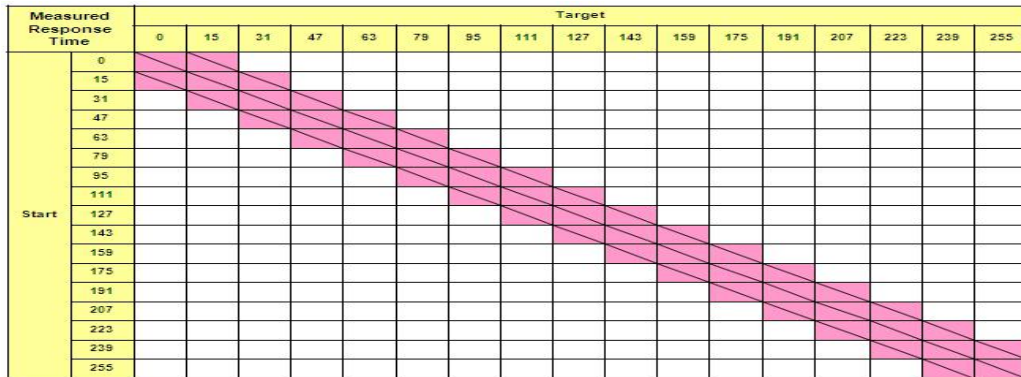
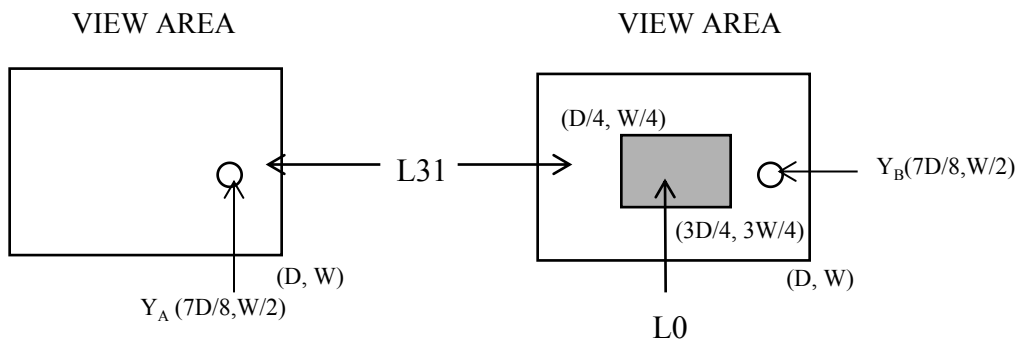


Figure 4. Cross Modulation Test Description



$$\text{Cross-Talk (\%)} = \left| \frac{Y_B - Y_A}{Y_A} \right| \times 100$$

Where: Y_A = Initial luminance of measured area (cd/m²)
 Y_B = Subsequent luminance of measured area (cd/m²)
 The location measured will be exactly the same in both patterns

Figure 5. Open Cell Outline Dimensions (Front view)

