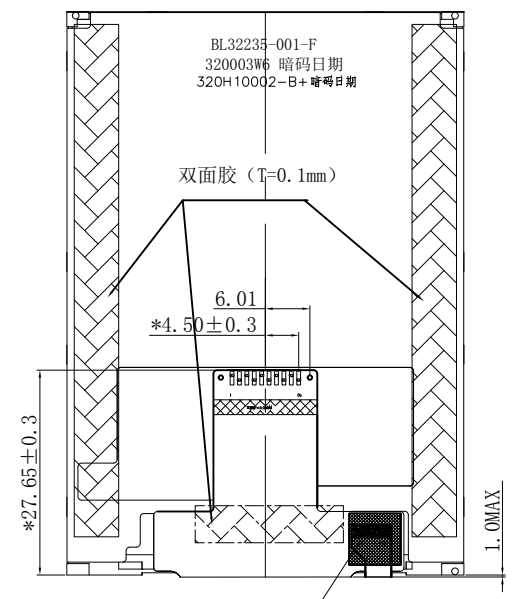
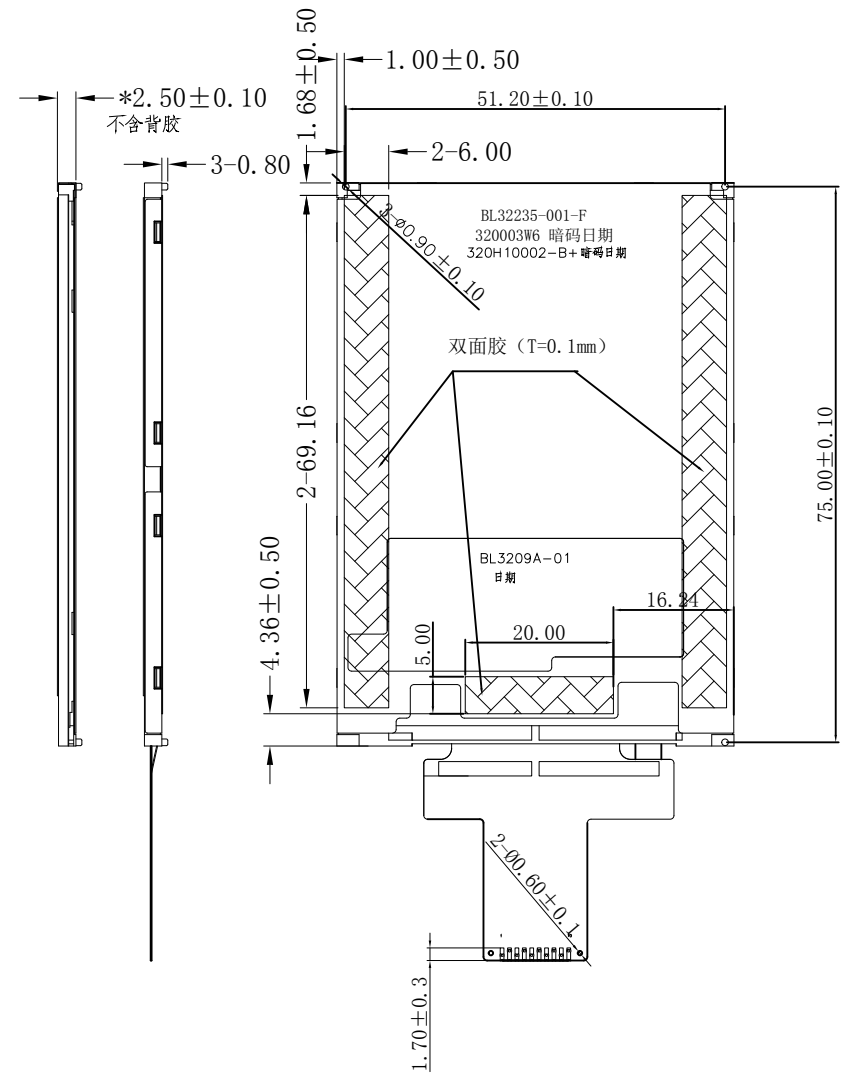
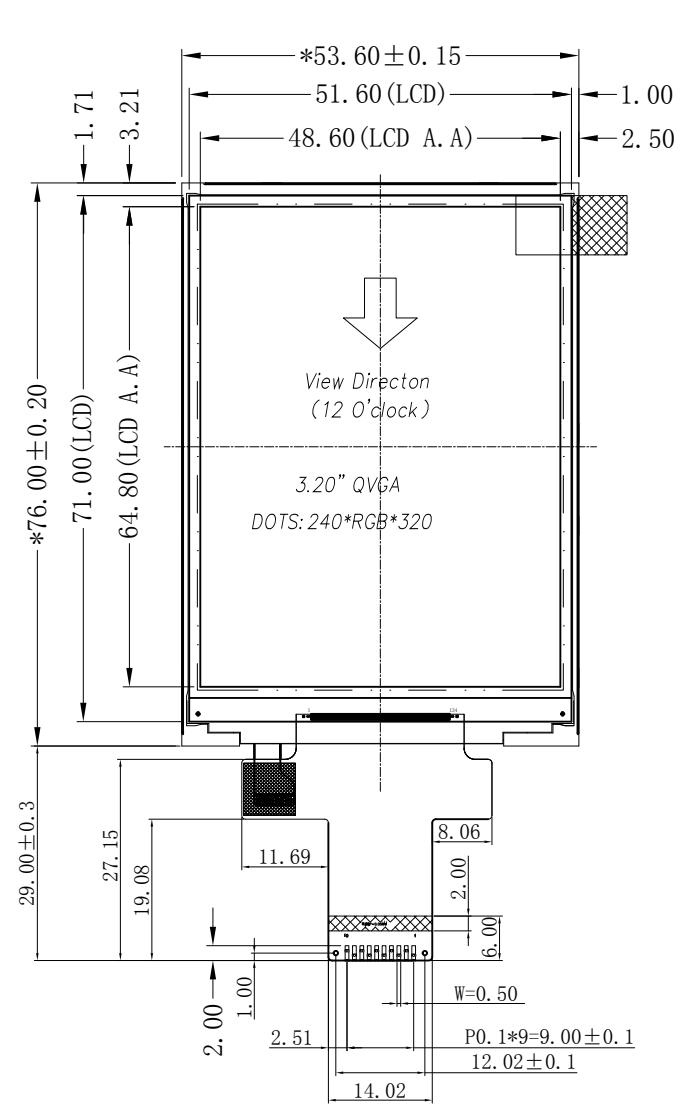


REV.	DRG DATE	DESCRIPTION	DRAWN BY

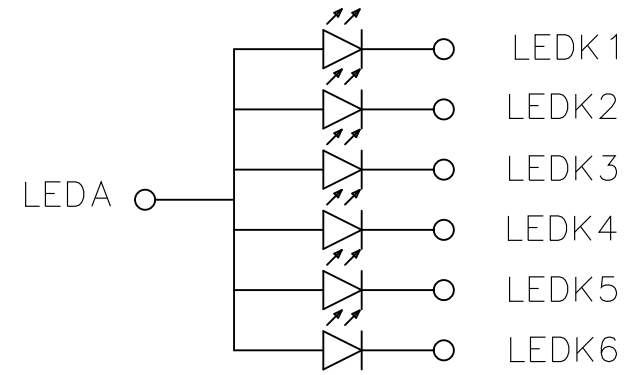


FPC弯折示意图  
展开出货

NO.	Pin name
1	GND
2	RS
3	CS
4	SCL
5	DATA
6	RESET
7	VDD
8	VSS
9	LED+
10	LED-

Specification:

- 1). Viewing angle: 12 O'clock
- 2). Display mode: 262K TFT/Transmissive/Normally White
- 3). Operating temp: -10° C ~ 60° C
- 4). Storage temp: -20° C ~ 70° C
- 5). LCD Driver IC: HX8347I
- 6). FPC MEET WITH CONNECTOR:
- 7). Backlight: 6 chip White LED (If=120mA, Vf=3.2V)
- 8). General Tolerance: ±0.2
- 9). MARK "\*" IS THE IMPORTANT DIMENSION
- 10). ROHS Request



6EA If=120mA

深圳市阿美林电子科技有限公司 Shenzhen Amelin Electronic Technology Co., Ltd.					DRG DATE	2017-06-22
					DRAWING	CYP
TITLE.		REV.	UNIT	SIZE	CHECK	
MODEL.	AML320H10002-B		mm	A4	APPROVE	

