

AMELIN	PRODUCT GROUP	REV	ISSUE DATE
	Customer SPEC	Rev. P0	May.26,20'

Shenzhen Amelin Electronic Technology Co.,Ltd

TITLE :AML215HJJ-P02
Product Specification Rev. P0

Customer		Recipient's recognition	
Take charge		Establishment	YiXian He
Audit		Audit	
Approved		Approved	

The content contained in this document is copyrighted by the company and the use, disclosure, distribution, reproduction or other similar misconduct of the contents of this document without consent or authorization is strictly prohibited. Unless authorized by the company in writing or in the contract

AMELIN	PRODUCT GROUP	REV	ISSUE DATE
	Customer SPEC	Rev. P0	May.26,20'

Shenzhen Amelin Electronic Technology Co.,Ltd

Contents

No.	Item	Page
1.0	GENERAL DESCRIPTION	4
2.0	ABSOLUTE MAXIMUM RATINGS	6~7
3.0	Electrical Specifications	7~9
4.0	Input Terminal Pin Assignment	9~13
5.0	Backlight Unit	13
6.0	Appendix	14~17
7.0	Packing	18
8.0	General Precautions	18~19

The content contained in this document is copyrighted by the company and the use, disclosure, distribution, reproduction or other similar misconduct of the contents of this document without consent or authorization is strictly prohibited. Unless authorized by the company in writing or in the contract

AMELIN	PRODUCT GROUP	REV	ISSUE DATE
	Customer SPEC	Rev. P0	May.26,20'

Shenzhen Amelin Electronic Technology Co.,Ltd

REVISION HISTORY

(●)preliminary specification

()Final specification

Revision No.	Page	Description of changes	Date	Prepared
Rev.0		Initial Release	May.26,20'	YiXian He

The content contained in this document is copyrighted by the company and the use, disclosure, distribution, reproduction or other similar misconduct of the contents of this document without consent or authorization is strictly prohibited. Unless authorized by the company in writing or in the contract

AMELIN	PRODUCT GROUP	REV	ISSUE DATE
	Customer SPEC	Rev. P0	May.26,20'

Shenzhen Amelin Electronic Technology Co.,Ltd

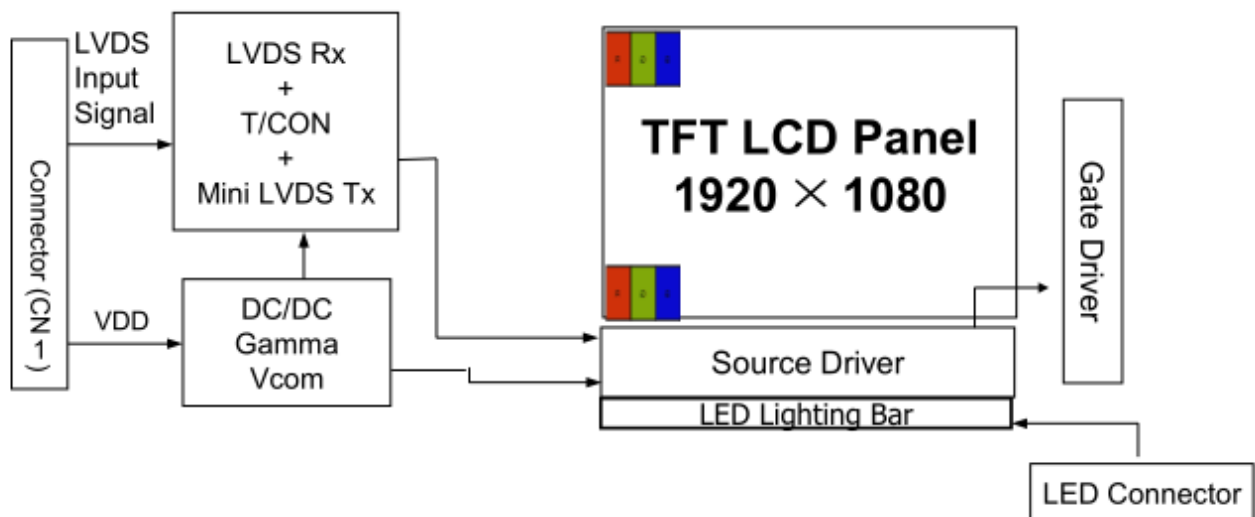
1.0 GENERAL DESCRIPTION

1.1 Introduction

AML215HJJ-P02 is a diagonal 21.5" color active matrix LCD open cell with 1ch-LVDS interface. This open cell is a transmissive type display operating in the normally black mode. It supports 1920 * 1080 FHD resolution and can display up to

16.7M colors (8bit). Each pixel is divided into Red, Green and Blue sub-pixels which are arranged in vertical stripe.

This open cell dedicates for LCD TV & Monitor products and provides excellent performance which includes high brightness, ultra wide viewing angle, high color saturation and high color depth. CSOT open cell comply with RoHS for identification.



2. General Description

2.1 Product Features

- FHD Resolution (1920 * 1080)
- Very High Contrast Ratio: 3000:1
- Fast Response Time
- Ultra Wide Viewing Angle: 178°(H)/178°(V) (CR10)
- DE (Data Enable)Mode
- LVDS (Low Voltage Differential Signaling) Interface

The content contained in this document is copyrighted by the company and the use, disclosure, distribution, reproduction or other similar misconduct of the contents of this document without consent or authorization is strictly prohibited. Unless authorized by the company in writing or in the contract

AMELIN	PRODUCT GROUP	REV	ISSUE DATE
	Customer SPEC	Rev. P0	May.26,20'

Shenzhen Amelin Electronic Technology Co.,Ltd

1.3 Application

- Desktop Type of PC & Workstation Use
- Slim-Size Display for Stand-alone Monitor
- Display Terminals for Control System
- Monitors for Process Controlle

1.4 General Information

Parameter	Specification	Unit	Remarks
Active area	476.64 (H) * 268.11 (V)	MM	
Number of pixels	1920(H) ×1080(V)	pixels	
Pixel pitch	0.24795(H) x 0.24795(V)	MM	
Pixel arrangement	RGB Vertical stripe		
BLU Brightncs	250	Cd/m ²	
Display colors	16.7M	colors	
Display mode	Transmissive Mode, Normally Black		
Dimensional outline	495.6(H) × 292.4(V) × 10.5(D) typ.		
Weight			
Surface Treatment	SR16, 3H hard coating, Haze : 25		
Back-light	1-LED Lighting Bar type		

The content contained in this document is copyrighted by the company and the use, disclosure, distribution, reproduction or other similar misconduct of the contents of this document without consent or authorization is strictly prohibited. Unless authorized by the company in writing or in the contract

AMELIN	PRODUCT GROUP	REV	ISSUE DATE
	Customer SPEC	Rev. P0	May.26,20'

Shenzhen Amelin Electronic Technology Co.,Ltd

2.0 ABSOLUTE MAXIMUM RATINGS

The followings are maximum values which, if exceed, may cause faulty operation or damage to the unit. The operational and non-operational maximum voltage and current values are listed in Table 2

< Table 2. Absolute Maximum Ratings >

Parameter	Symbol	Min.	Max.	Unit	Remarks
Power Supply Voltage	V DD	-0.3	5.5	V	Ta = 25 °C
Logic Supply Voltage	V IN	VSS-0.3	V DD +0.3	V	
Operating Temperature	T OP	0	50	°C	1)
Storage Temperature	T ST	-20	60	°C	1)

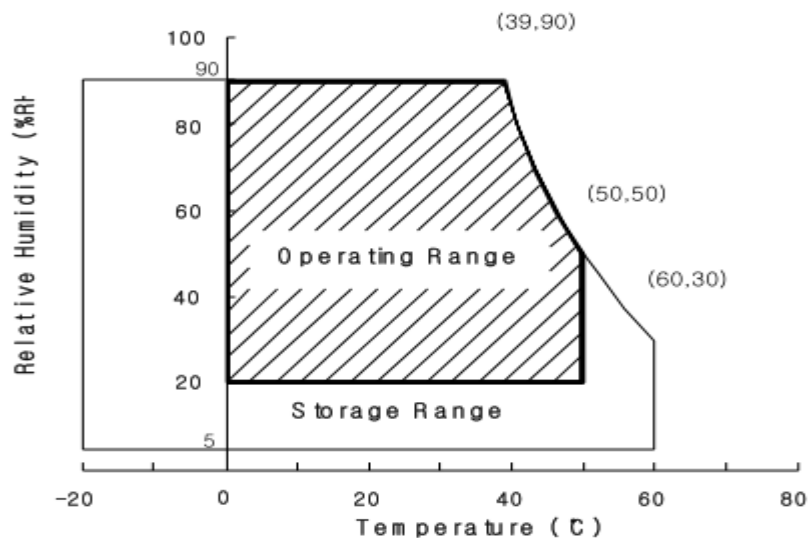
Note : 1) Temperature and relative humidity range are shown in the figure below.

Wet bulb temperature should be 39 °C max. and no condensation of water.

The content contained in this document is copyrighted by the company and the use, disclosure, distribution, reproduction or other similar misconduct of the contents of this document without consent or authorization is strictly prohibited. Unless authorized by the company in writing or in the contract

AMELIN	PRODUCT GROUP	REV	ISSUE DATE
	Customer SPEC	Rev. P0	May.26,20'

Shenzhen Amelin Electronic Technology Co.,Ltd



3. Electrical Specifications

3.1 Open Cell Power Consumption (TA = 25 ± 2 °C)

Parameter	Symbol	Value			Unit	Note	
		Min.	Typ.	Max.			
Power Supply Voltage	V CC	4.5	5.0	5.5	V	(1)	
Rush Current	I RUSH	-	-	1.91	A	(2)	
Power Supply Current	White Pattern	I cc	-	0.96	1.25	A	(3)
	Horizontal Stripe	I cc	-	1.27	1.66	A	
	Black Pattern	I cc	-	0.75	0.98	A	

Note:

(1) The ripple voltage should be controlled less than 10% of V CC .

(2) Measurement condition: V CC =5V, Rising time = 470μs.

The content contained in this document is copyrighted by the company and the use, disclosure, distribution, reproduction or other similar misconduct of the contents of this document without consent or authorization is strictly prohibited. Unless authorized by the company in writing or in the contract

AMELIN	PRODUCT GROUP	REV	ISSUE DATE
	Customer SPEC	Rev. P0	May.26,20'

Shenzhen Amelin Electronic Technology Co.,Ltd

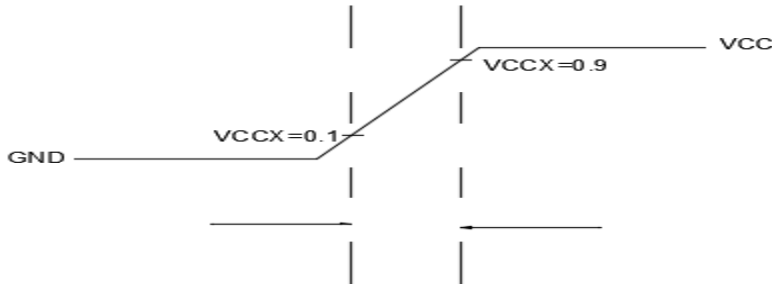


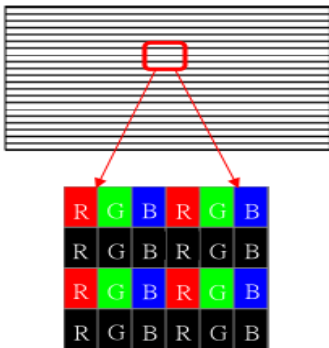
Fig. 3.1 V CC rising time condition

(3) Measurement condition: V CC = 5V, Ta = 25 ± 2°C, F = 75 Hz. The test patterns are shown as below.

A. White Pattern



B. Horizontal Pattern



C. Black Pattern

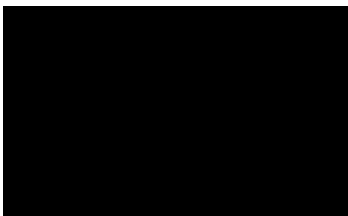


Fig. 3.2 Test patterns

The content contained in this document is copyrighted by the company and the use, disclosure, distribution, reproduction or other similar misconduct of the contents of this document without consent or authorization is strictly prohibited. Unless authorized by the company in writing or in the contract

AMELIN	PRODUCT GROUP	REV	ISSUE DATE
	Customer SPEC	Rev. P0	May.26,20'

Shenzhen Amelin Electronic Technology Co.,Ltd

3.2 LVDS Characteristics

Parameter	Symbol	Value			Unit	Note	
		Min.	Typ.	Max.			
LVDS Interface	Differential Input High Threshold Voltage	V TH	+100	-	-	MV	
	Differential Input Low Threshold Voltage	V TL	-	-	-100	MV	
	Common Input Voltage	V CM	1.0	1.2	1.4	V	
	Differential Input Voltage	V ID	100	-	600	MV	
	Terminating Resistor	R T	87.5	100	112.5	ohm	
CMOS Interface	Input High Threshold Voltage	V IH	2.7	-	3.3	V	
	Input Low Threshold Voltage	V IL	0	-	0.7	V	

4. Input Terminal Pin Assignment

4.1 Interface Pin Assignment

CN1: 300B30-0000RA-M4 (Starconn) or equivalent (see Note (1))

PIN NO	Symbol	Description	Note
1	RO(0)N	Odd LVDS Signal-	
2	RO(0)P	Odd LVDS Signal+	
3	RO(1)N	Odd LVDS Signal-	
4	RO(1)P	Odd LVDS Signal+	
5	RO(2)N	Odd LVDS Signal-	

The content contained in this document is copyrighted by the company and the use, disclosure, distribution, reproduction or other similar misconduct of the contents of this document without consent or authorization is strictly prohibited. Unless authorized by the company in writing or in the contract

AMELIN	PRODUCT GROUP	REV	ISSUE DATE
	Customer SPEC	Rev. P0	May.26,20'

Shenzhen Amelin Electronic Technology Co.,Ltd

6	RO(2)P	Odd LVDS Signal+	
7	GND	Ground	
8	ROCLK-	Odd LVDS Clock-	
9	ROCLK+	Odd LVDS Clock +	
10	RO(3)N	Odd LVDS Signal-	
11	RO(3)P	Odd LVDS Signal+	
12	RE(0)N	Even LVDS Signal-	
13	RE(0)P	Even LVDS Signal+	
14	GND	Ground	
15	RE(1)N	Even LVDS Signal-	
16	RE(1)P	Even LVDS Signal+	
17	GND	Ground	
18	RE(2)N	Even LVDS Signal-	
19	RE(2)P	Even LVDS Signal+	
20	RECLK-	Even LVDS Clock-	
21	RECLK+	Even LVDS Clock +	
22	RE(3)N	Even LVDS Clock-	
23	RE(3)P	Even LVDS Clock +	

The content contained in this document is copyrighted by the company and the use, disclosure, distribution, reproduction or other similar misconduct of the contents of this document without consent or authorization is strictly prohibited. Unless authorized by the company in writing or in the contract

AMELIN	PRODUCT GROUP	REV	ISSUE DATE
	Customer SPEC	Rev. P0	May.26,20'

Shenzhen Amelin Electronic Technology Co.,Ltd

24	GND	Ground	
25	WP	Write Protect (High: Write Enable, Low or Open: Write Disable)	
26	SCL	I2C Serial Clock (for adjust VCOM)	
27	SDA	I2C Serial Clock (for adjust VCOM)	
28	5V	DC power supply	
29	5V	DC power supply	
30	5V	DC power supply	

Note:

(1) The direction of pin assignment is shown as below:

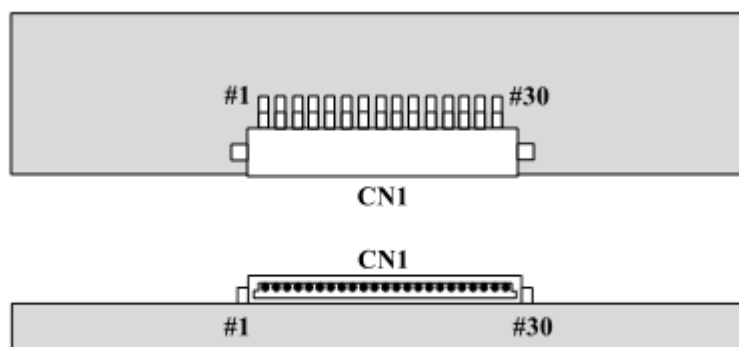


Fig. 4.1 LVDS connector direction sketch map

(2) a. Please let it open (Do not line out from PCBA connector) if it do not used.(for example: TV set)

The content contained in this document is copyrighted by the company and the use, disclosure, distribution, reproduction or other similar misconduct of the contents of this document without consent or authorization is strictly prohibited. Unless authorized by the company in writing or in the contract

AMELIN	PRODUCT GROUP	REV	ISSUE DATE
	Customer SPEC	Rev. P0	May.26,20'

Shenzhen Amelin Electronic Technology Co.,Ltd

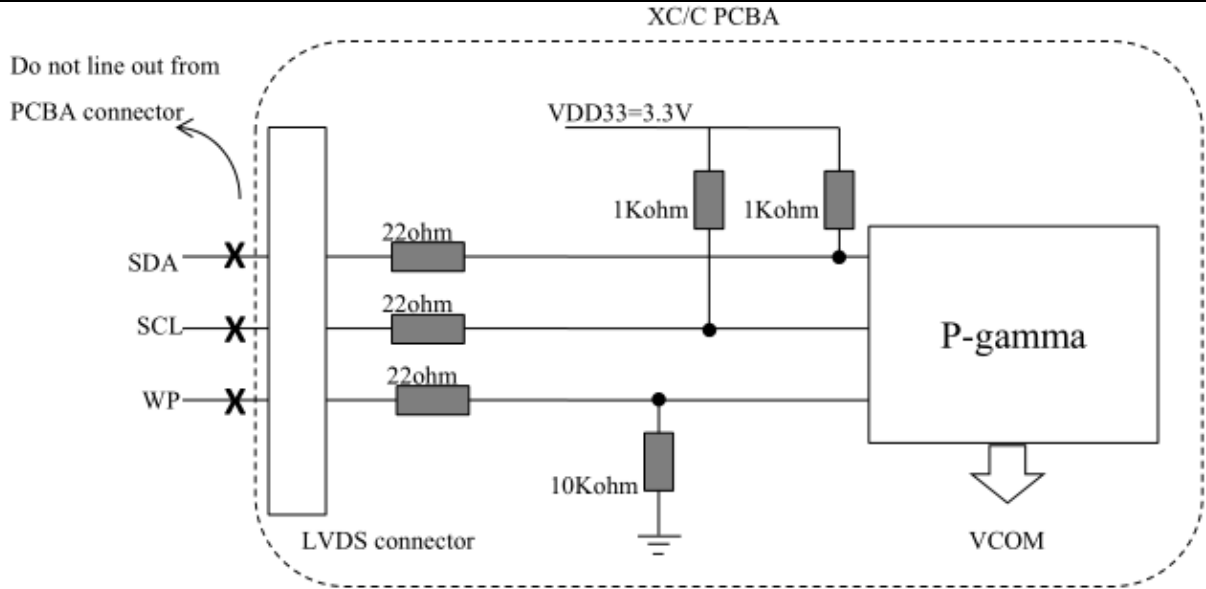
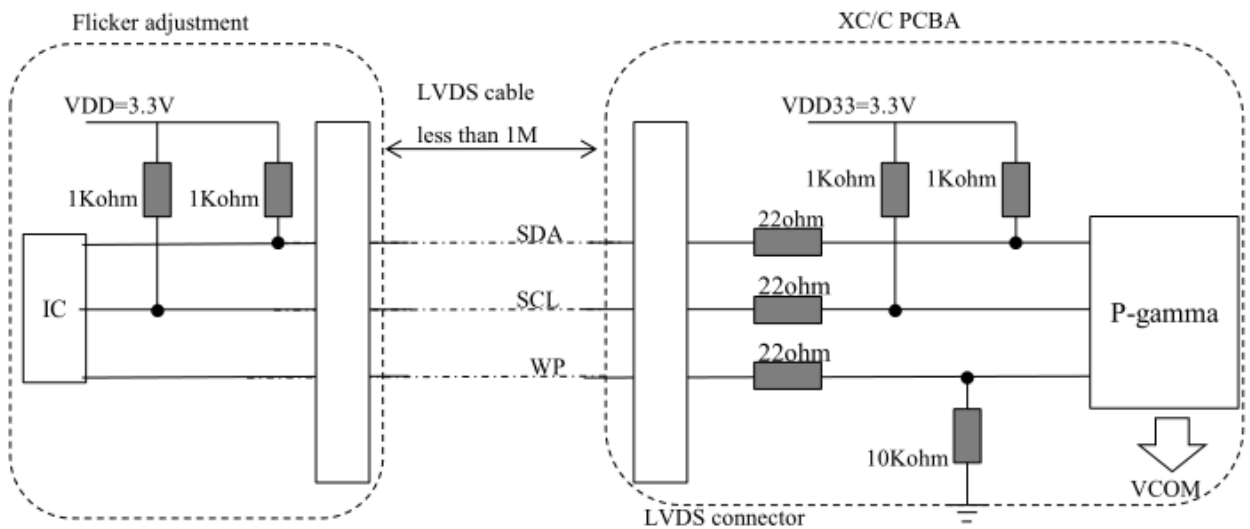


Fig. 4.2 WP/SDA/SCL PCBA set

- b. For the VCOM (Flicker) regulation and control, SDA and SCL must pull high in the flicker set, and the flicker set's VDD must ready before the input power (VCC5V)



The content contained in this document is copyrighted by the company and the use, disclosure, distribution, reproduction or other similar misconduct of the contents of this document without consent or authorization is strictly prohibited. Unless authorized by the company in writing or in the contract

AMELIN	PRODUCT GROUP	REV	ISSUE DATE
	Customer SPEC	Rev. P0	May.26,20'

Shenzhen Amelin Electronic Technology Co.,Ltd

Fig. 4.3 WP/SDA/SCL flicker set

4.2 Block Diagram of Interface

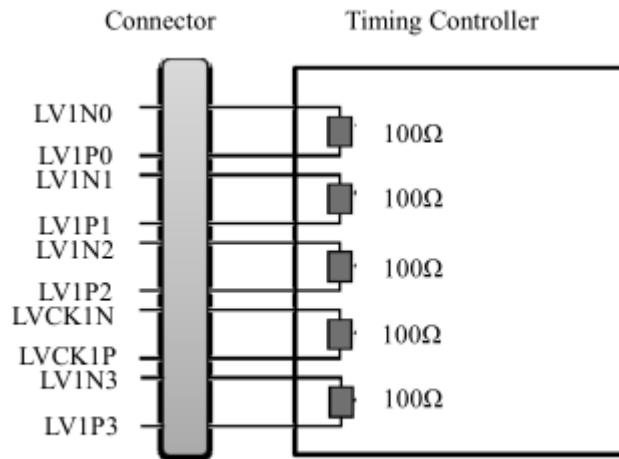


Fig. 4.4 Block diagram of interface

5.1 Backlight Unit

Parameter		Min.	Typ.	Max.	Unit	Remarks
LED Light Bar Input Voltage Per Input Pin	VPIN	-	52.8	58	V	Duty 100%
LED Light Bar Input Current Per Input Pin	IPIN	60	60	60	MA	Note1,2,
LED Power Consumption	P BL	-	12.67	13.92	W	Note 3
LED Life-Time	-	30000			Hrs	Note 4

LED bar consists of 72LED packages,4 strings(parallel)*18packages(serial)

Note1: There are One light bar ,and the specified current is input LED chip 100% duty current

Note2: The sense current of each input pin is 60mA

Note3: P BL =4 Input pins*VPIN ×IPIN

Note4: The lifetime is determined as the time at which luminance of LED become 50% of the initial brightness or not normal lighting at IPIN=60mA on condition of continuous operating at 25 ±2 °C

The content contained in this document is copyrighted by the company and the use, disclosure, distribution, reproduction or other similar misconduct of the contents of this document without consent or authorization is strictly prohibited. Unless authorized by the company in writing or in the contract

AMELIN	PRODUCT GROUP	REV	ISSUE DATE
	Customer SPEC	Rev. P0	May.26,20'

Shenzhen Amelin Electronic Technology Co.,Ltd

6.0 APPENDIX

Figure 1. Measurement Set Up

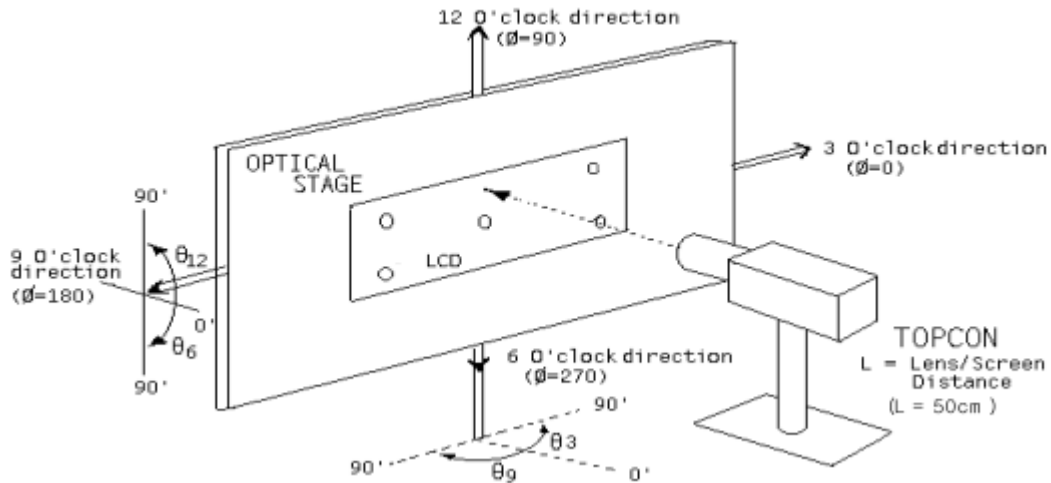
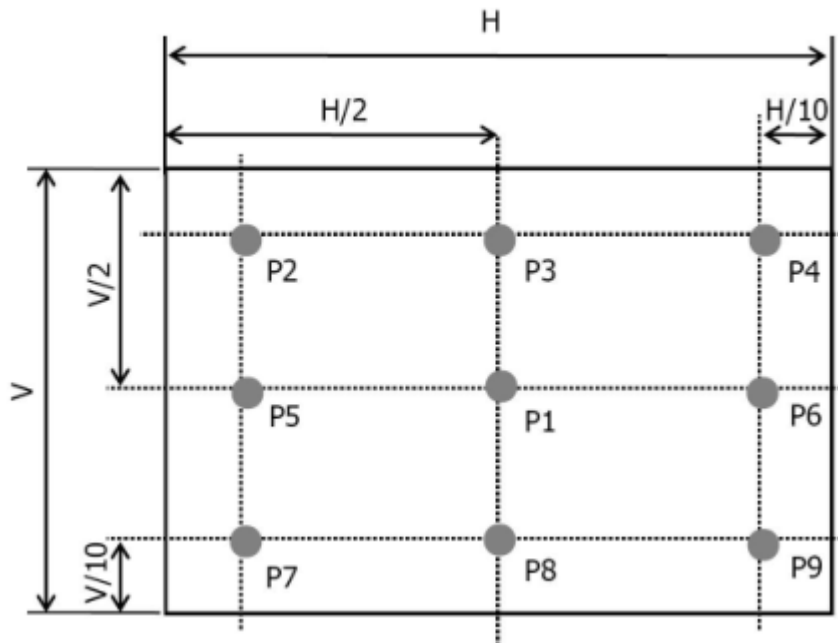


Figure 2. White Luminance and Uniformity Measurement Locations (9 points)



The content contained in this document is copyrighted by the company and the use, disclosure, distribution, reproduction or other similar misconduct of the contents of this document without consent or authorization is strictly prohibited. Unless authorized by the company in writing or in the contract

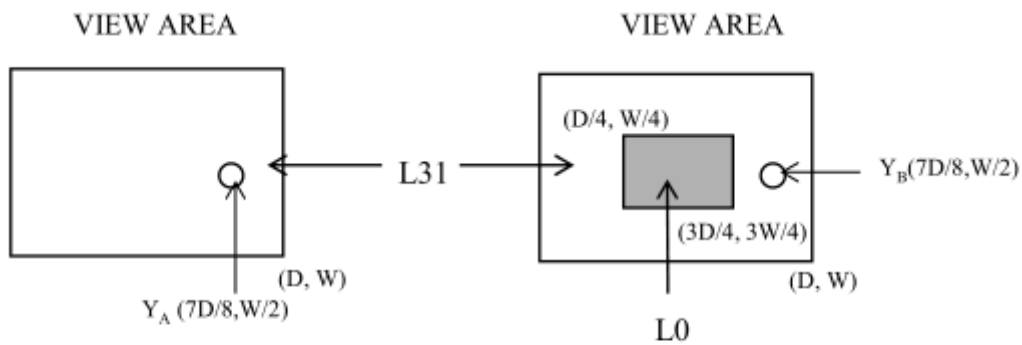
AMELIN	PRODUCT GROUP	REV	ISSUE DATE
	Customer SPEC	Rev. P0	May.26,20'

Shenzhen Amelin Electronic Technology Co.,Ltd

Figure 3. Response Time Testing



Figure 4. Cross Modulation Test Description



$$\text{Cross-Talk (\%)} = \left| \frac{Y_B - Y_A}{Y_A} \right| \times 100$$

Where: Y A = Initial luminance of measured area (cd/m 2)

Y B = Subsequent luminance of measured area (cd/m 2)

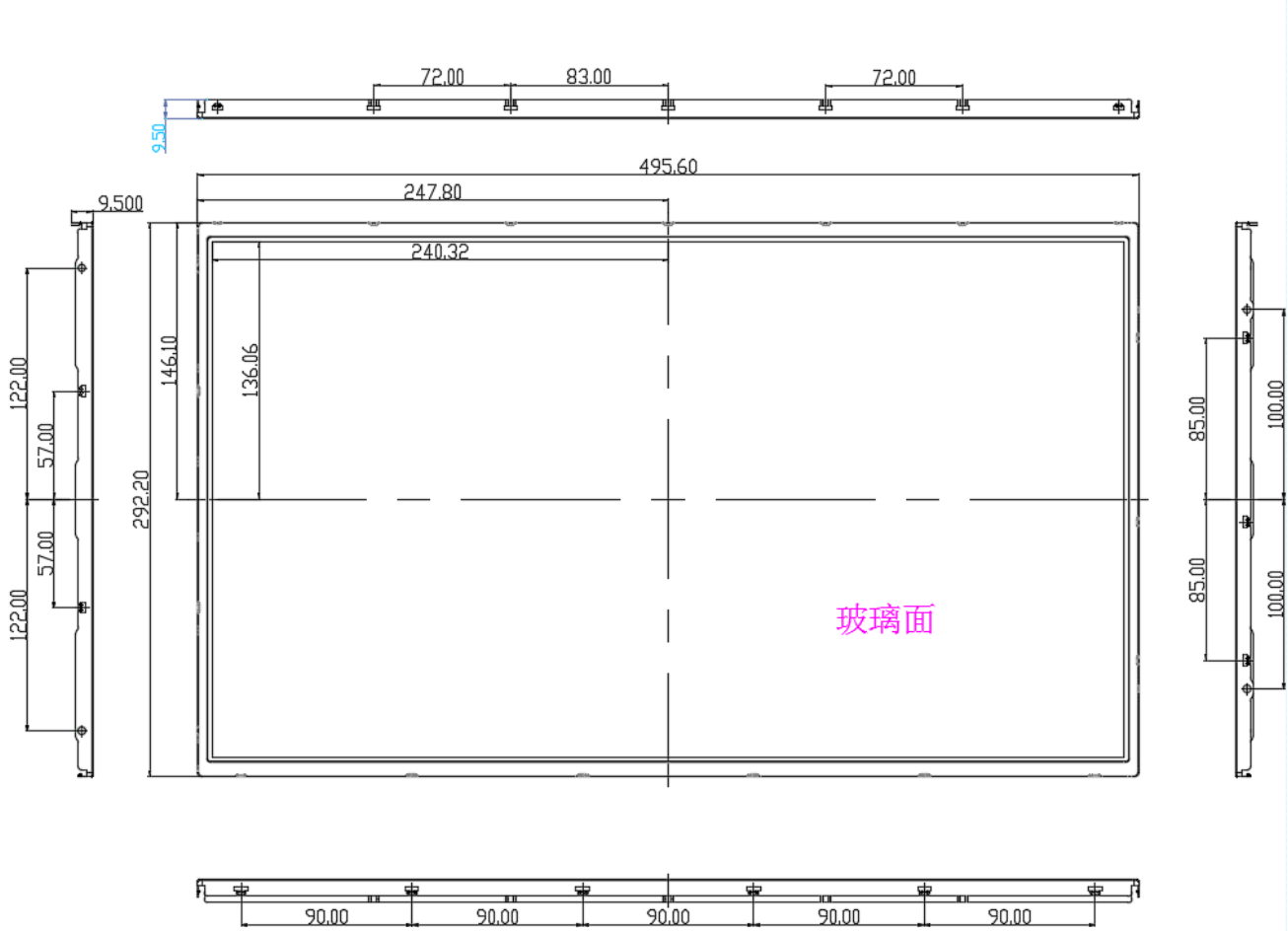
The location measured will be exactly the same in both patterns

The content contained in this document is copyrighted by the company and the use, disclosure, distribution, reproduction or other similar misconduct of the contents of this document without consent or authorization is strictly prohibited. Unless authorized by the company in writing or in the contract

AMELIN	PRODUCT GROUP	REV	ISSUE DATE
	Customer SPEC	Rev. P0	May.26,20'

Shenzhen Amelin Electronic Technology Co.,Ltd

Figure 5. TFT-LCD Module Outline Dimensions (Front view)

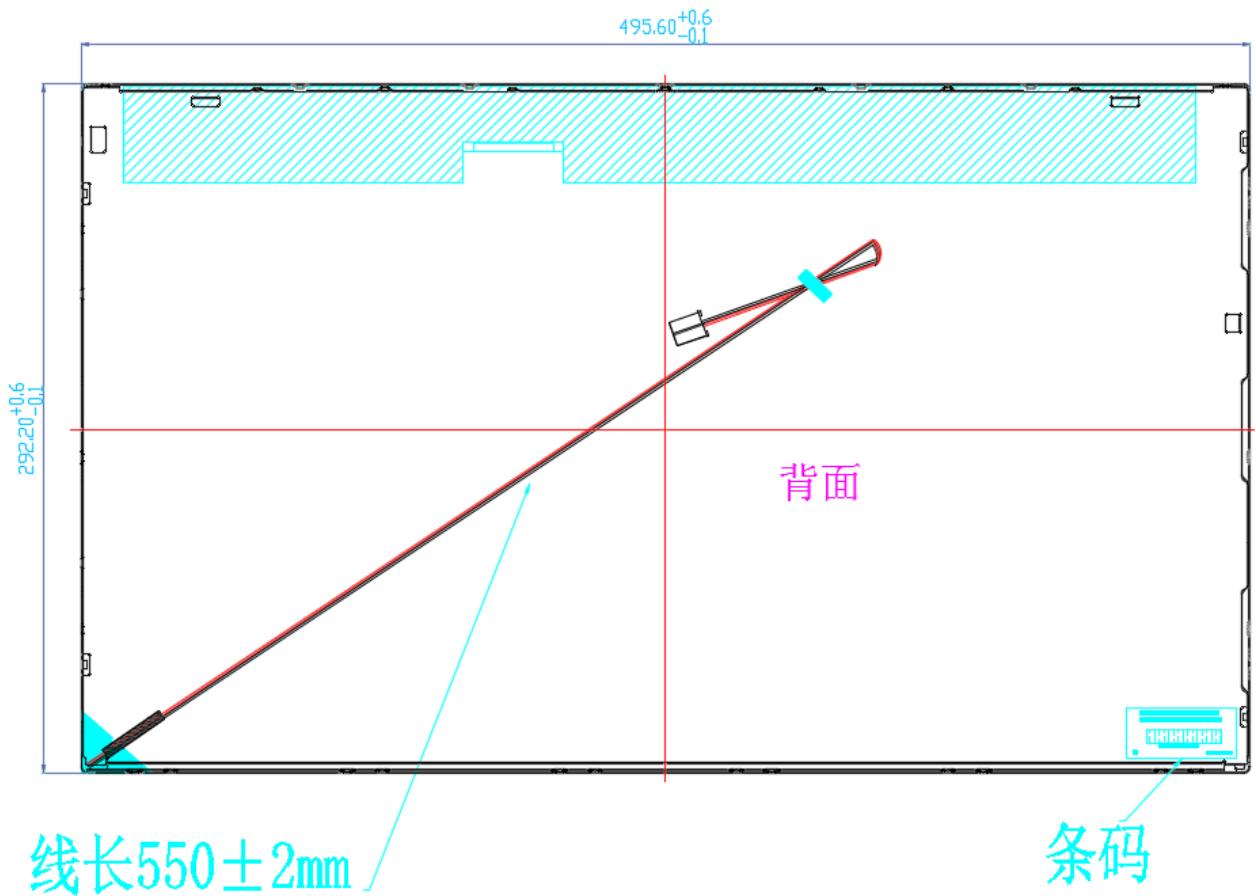


The content contained in this document is copyrighted by the company and the use, disclosure, distribution, reproduction or other similar misconduct of the contents of this document without consent or authorization is strictly prohibited. Unless authorized by the company in writing or in the contract

AMELIN	PRODUCT GROUP	REV	ISSUE DATE
	Customer SPEC	Rev. P0	May.26,20'

Shenzhen Amelin Electronic Technology Co.,Ltd

Figure 6. TFT-LCD Module Outline Dimensions (Rear view)



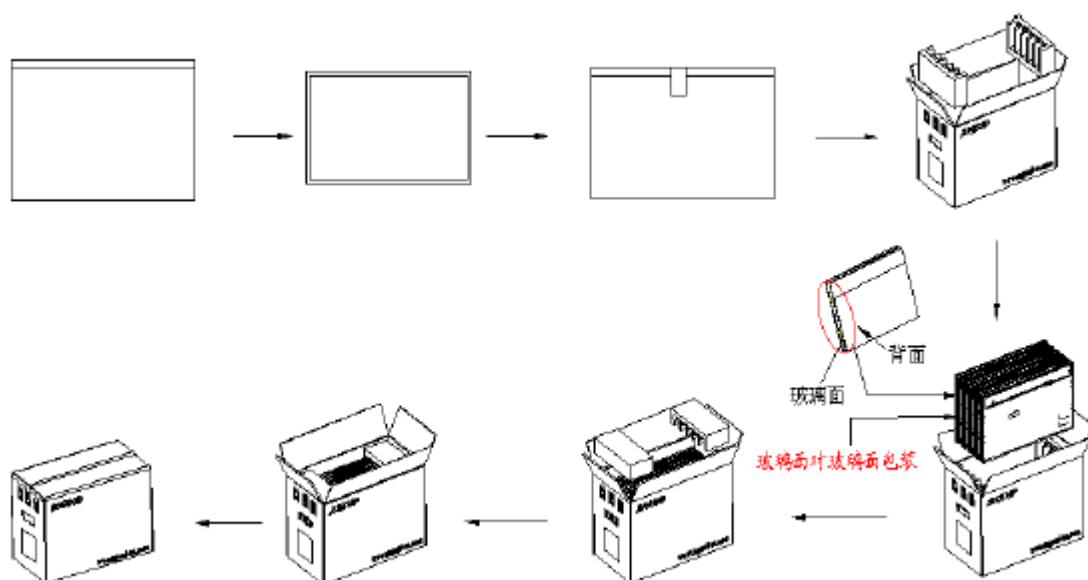
The content contained in this document is copyrighted by the company and the use, disclosure, distribution, reproduction or other similar misconduct of the contents of this document without consent or authorization is strictly prohibited. Unless authorized by the company in writing or in the contract

AMELIN	PRODUCT GROUP	REV	ISSUE DATE
	Customer SPEC	Rev. P0	May.26,20'

Shenzhen Amelin Electronic Technology Co.,Ltd

7.0 Packing

7.1 Packing Order



8.General Precautions

8.1Storage

1. Stor the module ina dark room where must keep at $25 \pm 10^{\circ}\text{C}$, $65 \pm 10\% \text{RH}$, the module shall be exposed under strong light such as direct sunlight.
2. Do not store the produce in surroundings containing organic solvent or corrosive gas

3. Store the module in an anti-electrostatic container or film .

8.2 Handing

The content contained in this document is copyrighted by the company and the use, disclosure, distribution, reproduction or other similar misconduct of the contents of this document without consent or authorization is strictly prohibited. Unless authorized by the company in writing or in the contract

AMELIN	PRODUCT GROUP	REV	ISSUE DATE
	Customer SPEC	Rev. P0	May.26,20'

Shenzhen Amelin Electronic Technology Co.,Ltd

1. Do not subject the module to mechanical shock or to excessive force
On its surface
2. To avoid contamination on the display surface, do not touch the module
Surface with bare hands
3. Must be the correct way to connec the power cable, otherwise it will
Cause damage

8.3 transportation

1. In transporting, Goods are strictly prohibited during the ultra-high stacking
Extrusion, upside down, entire vehicle liading and unloading.
2. Persons who handle the module should be grounded through adequate methods.

8.4 Other

1. About this specification, if any question, go through both sides agreement
Post-processing.
2. Any changes must get into contant with each other, get tht agreement then
To change ,and update the contents to record.

The content contained in this document is copyrighted by the company and the use, disclosure, distribution, reproduction or other similar misconduct of the contents of this document without consent or authorization is strictly prohibited. Unless authorized by the company in writing or in the contract